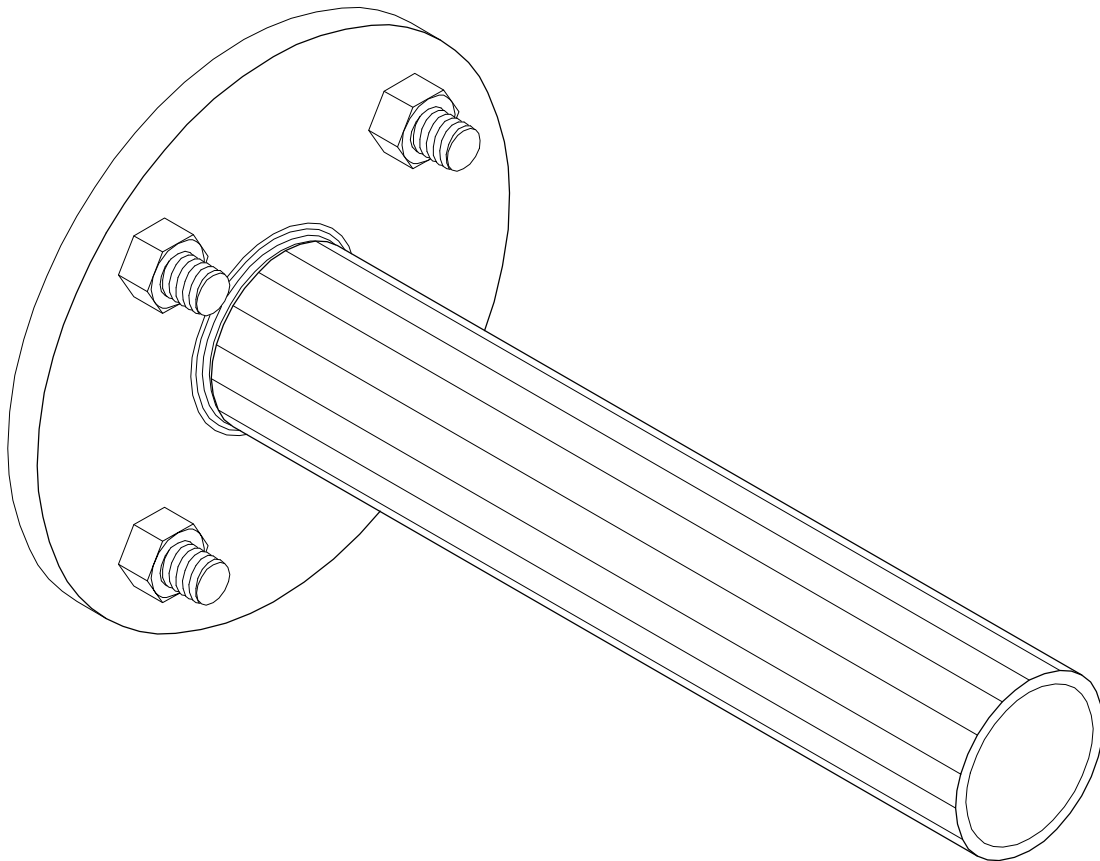


# Catalog # Wall Flange

Stabilizer for the Perimeter of Pipe Grids  
Telescopic tube to fit 1.5" sch 40 pipe



## Specifications:

5"  $\text{\O}$  Base with four (4) mounting holes  $7/16"$   $\text{\O}$   
8" long telescopic tube to fit 1.5" sch 40 pipe  
Field Drilling of pipe is required

Wall Flange