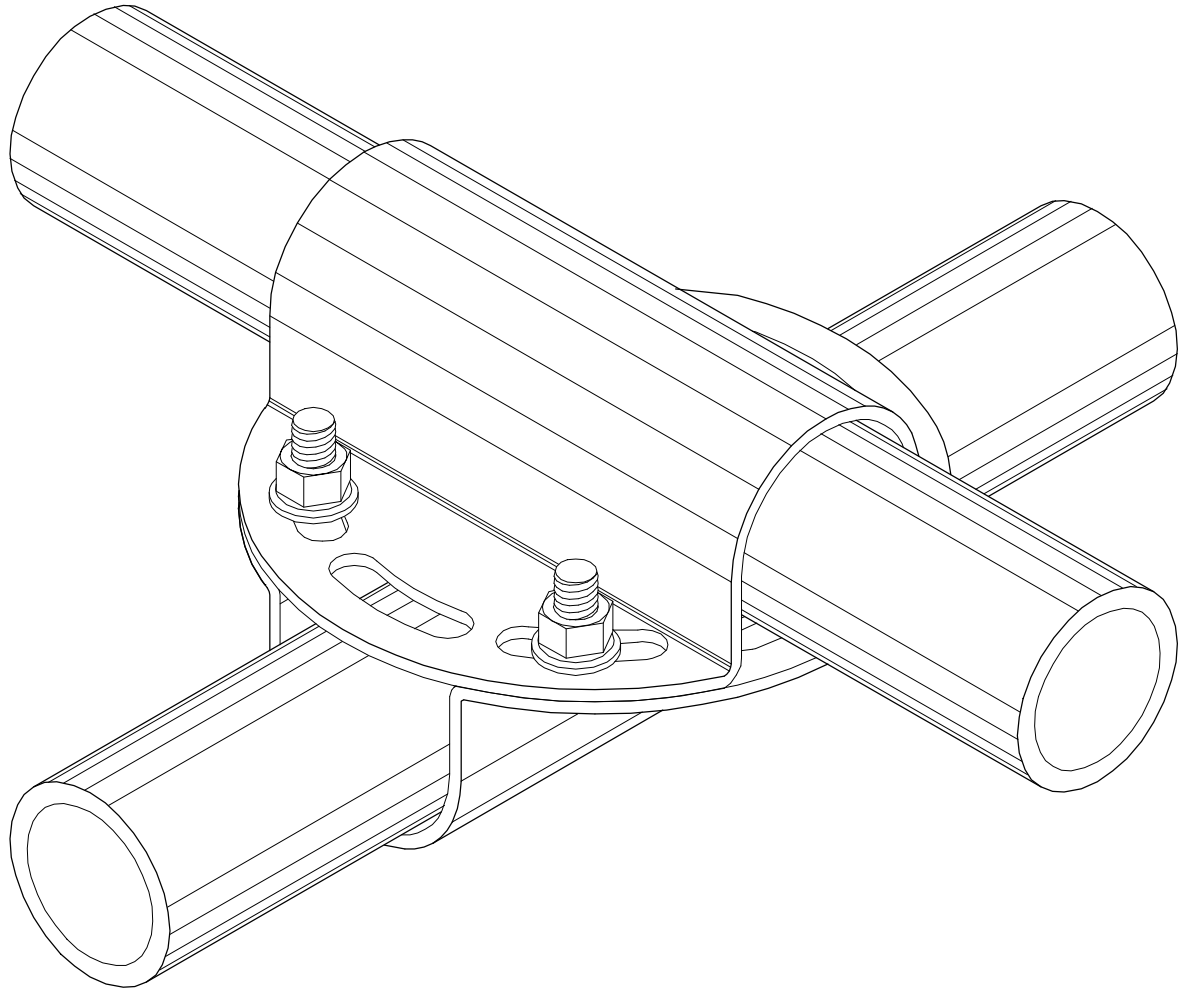


Catalog # Rotary Grid Overlap

12 Gauge Steel Saddle, Black
Four (4) 3/8" flange Hex Bolts & Nuts



Specifications:

Accommodates two 1.5" pipes (1.9" O.D.) at angles ranging from 0° (parallel) to 90° (shown)

Rotary Grid Overlap