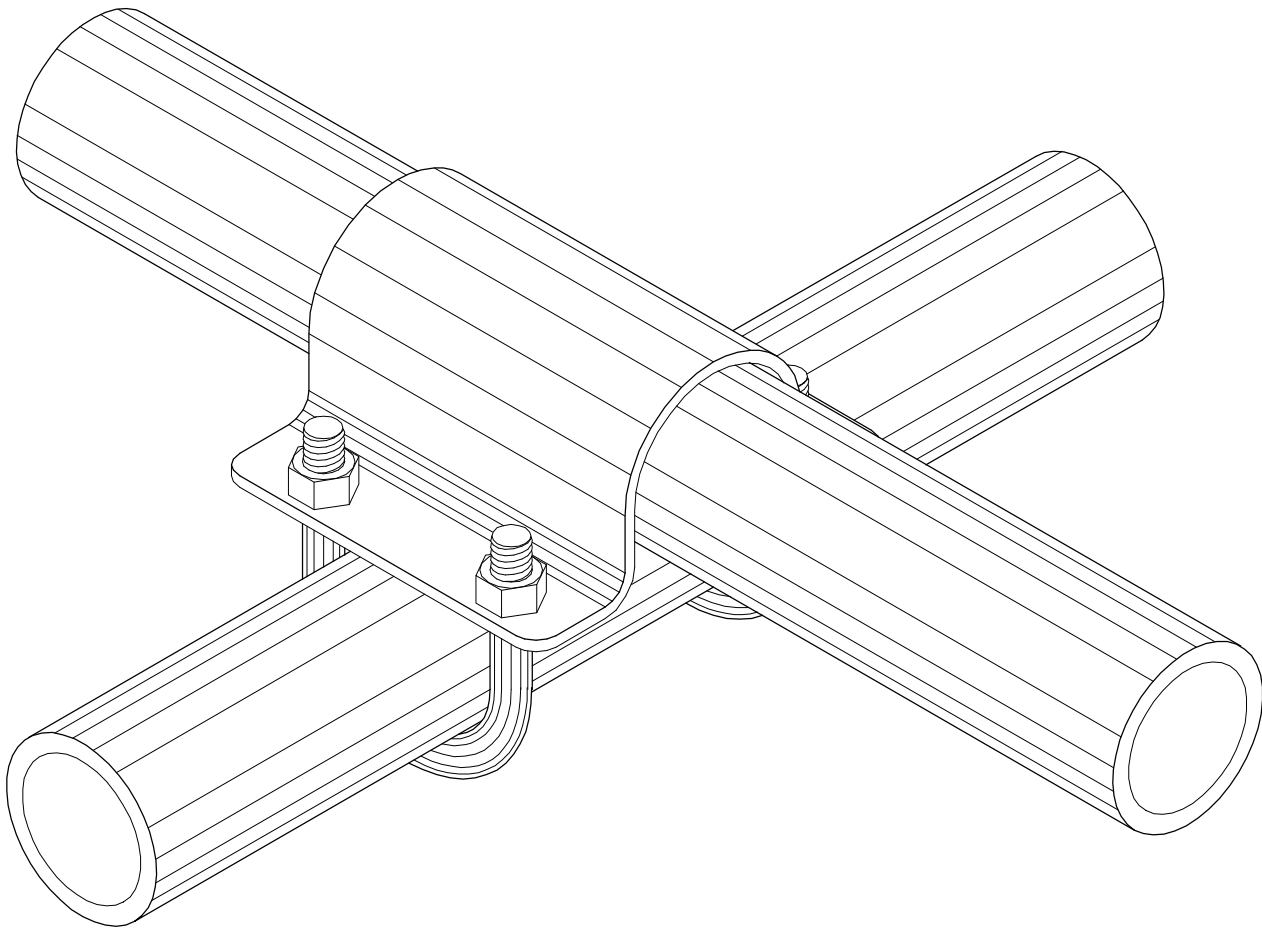


Catalog # Grid Overlap

12 Gauge Steel Saddle, Black
Two (2) plated U-Bolts, 3/8" diameter
with 3/8" Heavy Hex Nuts



Specifications:

- 01 1-1/2" pipe saddle with 1-1/2" pipe U-Bolts
- 02 1-1/2" pipe saddle with 1-1/4" pipe U-Bolts
- 03 1-1/2" pipe saddle with 2" Square Tube U-Bolts
- 04 1-1/2" pipe saddle with Unistrut U-Bolts
- 05 1-1/2" pipe saddle without U-Bolts