

**SPECIFICATIONS:**

- \* PLUG BOX SHALL BE 12"W X 5"H X 3.5"DEEP
- \* FABRICATED OF EXTRUDED ALUMINUM
- \* CONDUIT KNOCK-OUTS ON BOTH ENDS
- \* NUMBERS ARE 5/8" WHITE DIE CUT CHARACTERS
- \* (6) 2P&G 18" TYPE SO PIGTAILS
- \* HEYCO STRAIN RELIEF PROTECTION
- \* SEMI-GLOSS BLACK POWDER COAT FINISH
- \* GROUND LUG INSTALLED

REVISIONS		
REV.	DESCRIPTION	DATE

D

D

C

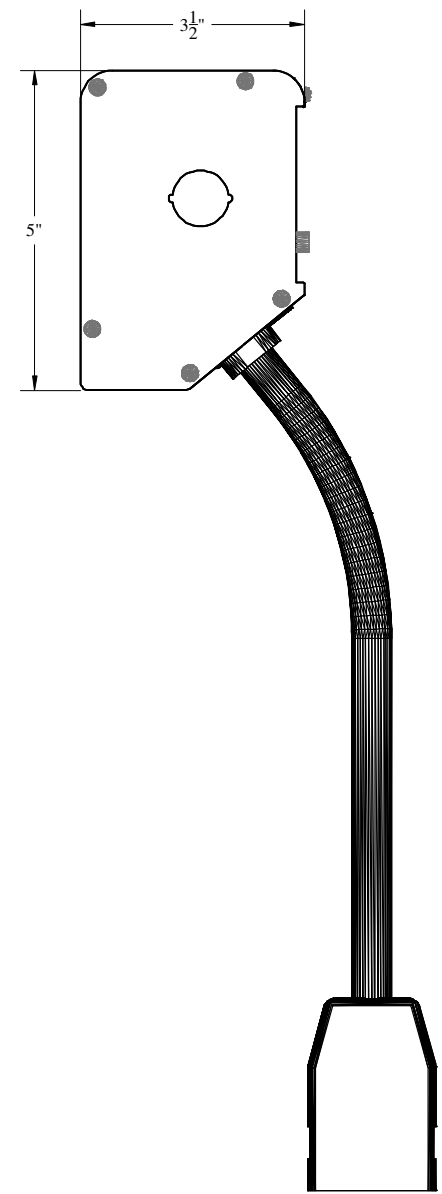
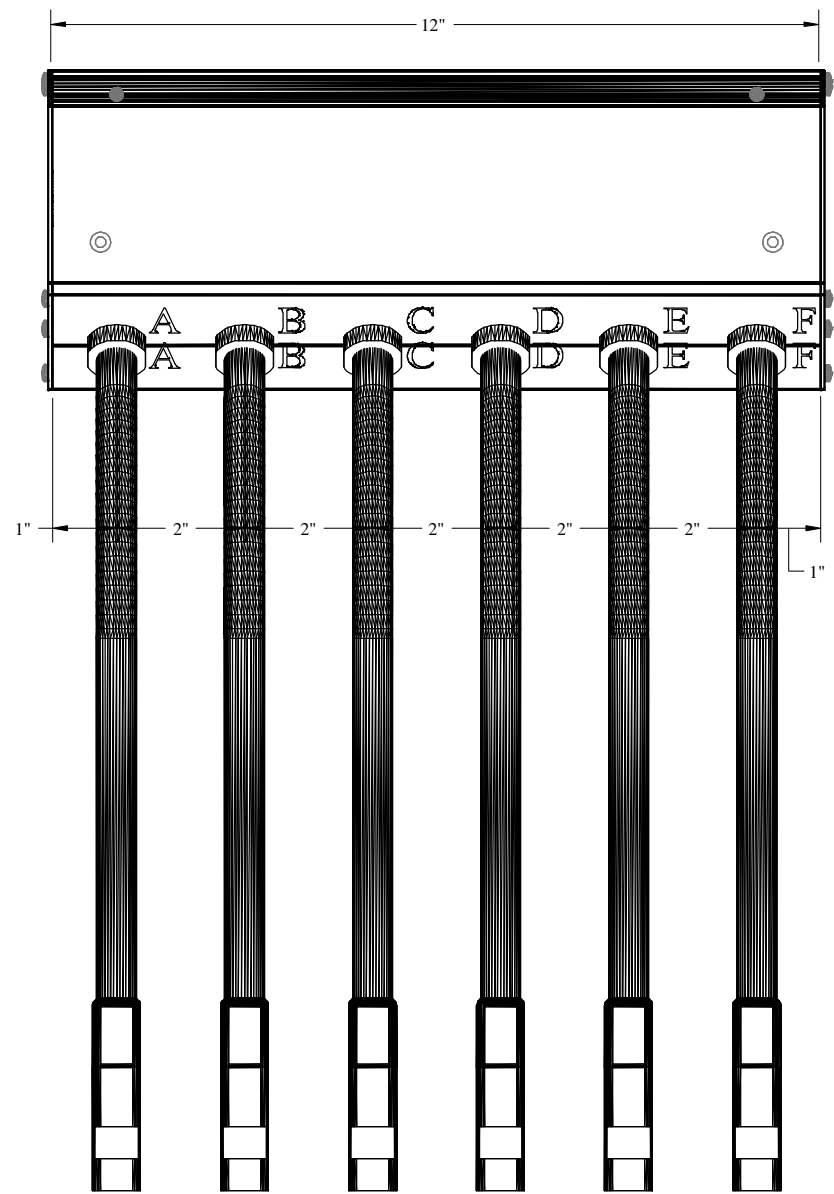
C

B

B

A

A



Type:						
Quantity:						
Brackets:						
Device Name	Circuit Numbers					
---	AA	BB	CC	DD	EE	FF



CONTRACT NO: PB-CS		<b>Rigging Innovators, Inc.</b> San Antonio, Texas	
CATALOG: PB-CSE12-6			
DRAWN BY: CADD	03/04/2009	TITLE: Typical Plug Box	
CHECKED BY:		Plug Box - (6) 2P&G 18" Pigtails	
DESIGNED BY:		SIZE A3	DATE 03/04/2009
(C) R.I., Inc. 2009		SCALE: NONE	DRAWING NO: PB-CSE12-6A
		SHEET: 1	OF 1