

8

7

6

5

4

3

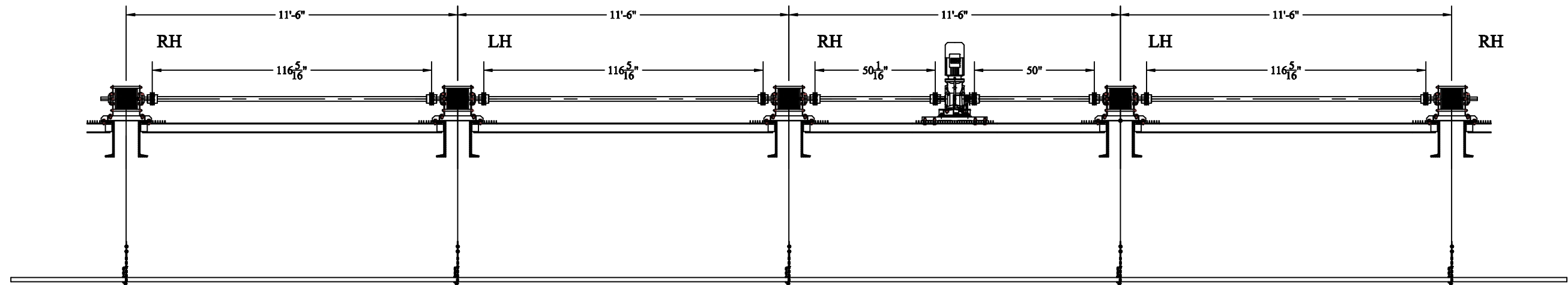
2

1

REVISIONS		
REV.	DESCRIPTION	DATE

D

D



C

C

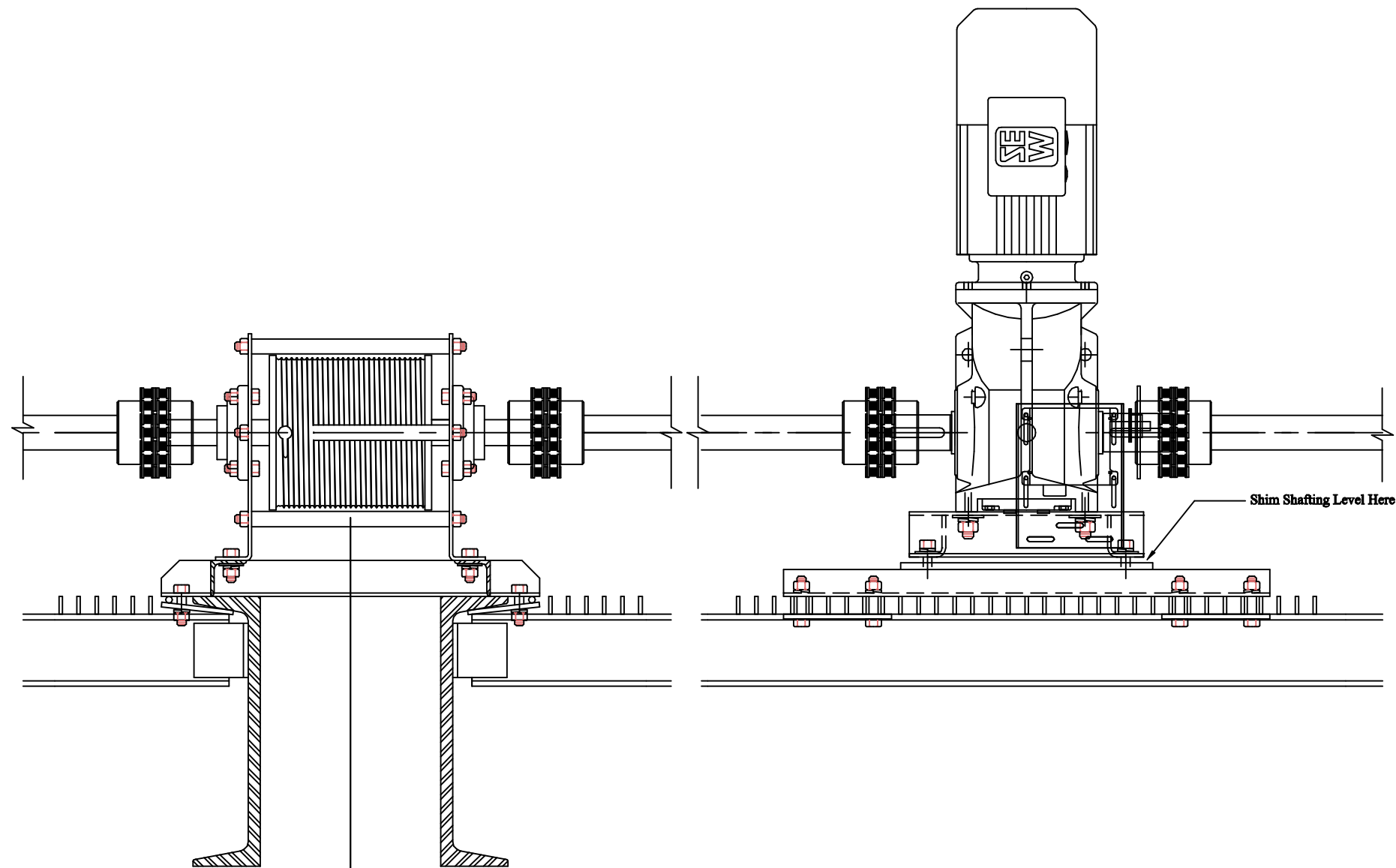
B

B

WINCH ASSEMBLY SPECIFICATIONS					
WINCH LOAD:	2000#	WINCH SPEED:	20 FPM	# of LINES:	5
DRUM SIZE:	8.6"	CABLE SIZE:	1/4"	# of DRUMS:	5
TRAVEL FT.:	44 ft	# of LIMITS:	4	OPTIONS:	

A

A



BILL OF MATERIALS					
KEY	PART NUMBER	DESCRIPTION	QTY	EXTEND	
1	01131-M1-101	Lineshaft Gear Assembly	1	1	
2	01131-M1-201	LH Drum Assembly	2	2	
3	01131-M1-201	RH Drum Assembly	3	3	
4	01131-M1-301	Drive Shaft Set of 5	1	1	
5	C6018-1-7/16"	Chain Coupling Half	1	8	
6	CC6018	Coupling Chain	2	10	

A

A

CONTRACT NO: Typical		<b>Rigging Innovators</b> San Antonio, Texas	
FILE: LS8-UR-M1.DWG	DATE 8/23/2001		
DRAWN BY: B. Darden	DATE 8/23/2001	TITLE: Lineshaft Winch, Upright Assy	
CHECKED BY:		DESIGNED BY:	
		SIZE A3	DRAWING NO: LS8-UR-M1
(C) R.L. 1999		SCALE: 1:48	REV. * SHEET 1 OF 1

8

7

6

5

4

3

2

1