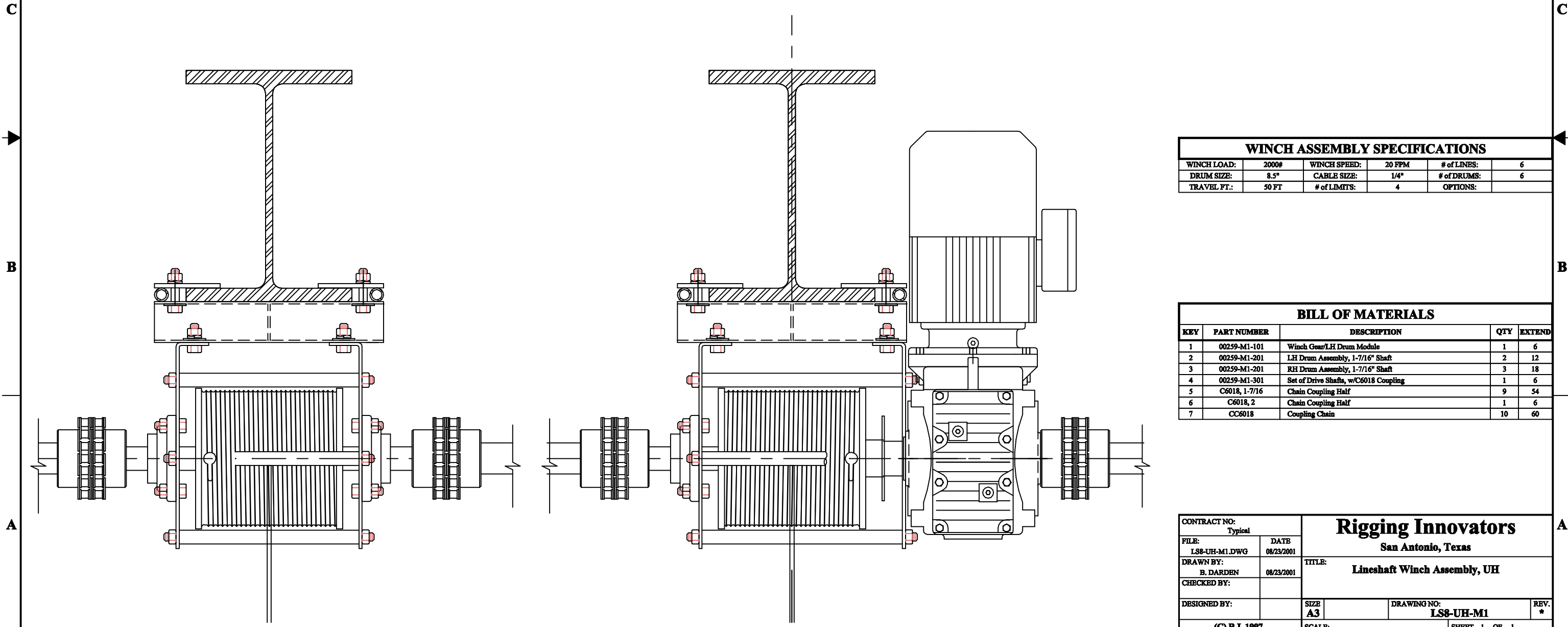
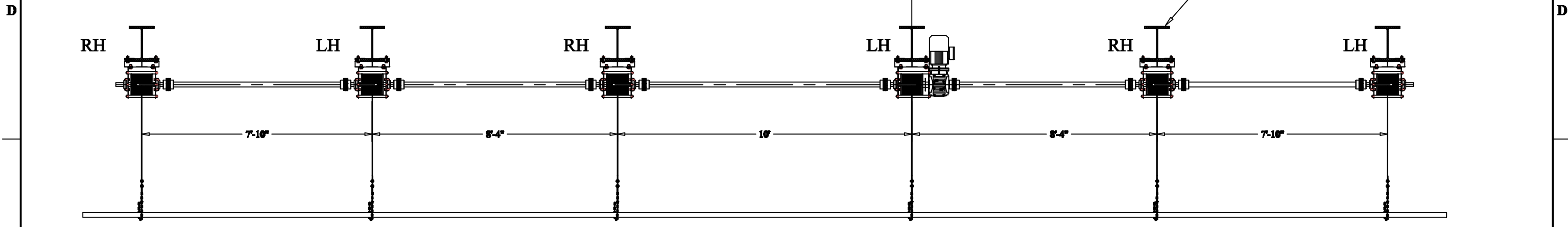


8 7 6 5 4 3 2 1

REVISIONS		
REV.	DESCRIPTION	DATE



WINCH ASSEMBLY SPECIFICATIONS					
WINCH LOAD:	2000#	WINCH SPEED:	20 FPM	# of LINES:	6
DRUM SIZE:	8.5"	CABLE SIZE:	1/4"	# of DRUMS:	6
TRAVEL FT.:	50 FT	# of LIMITS:	4	OPTIONS:	

BILL OF MATERIALS				
KEY	PART NUMBER	DESCRIPTION	QTY	EXTEND
1	00259-M1-101	Winch Gear/LH Drum Module	1	6
2	00259-M1-201	LH Drum Assembly, 1-7/16" Shaft	2	12
3	00259-M1-201	RH Drum Assembly, 1-7/16" Shaft	3	18
4	00259-M1-301	Set of Drive Shafts, w/C6018 Coupling	1	6
5	C6018, 1-7/16	Chain Coupling Half	9	54
6	C6018, 2	Chain Coupling Half	1	6
7	CC6018	Coupling Chain	10	60

CONTRACT NO: Typical		Rigging Innovators San Antonio, Texas	
FILE: LS8-UH-M1.DWG	DATE 08/23/2001		
DRAWN BY: B. DARDEN	DATE 08/23/2001	TITLE: Lineshaft Winch Assembly, UH	
CHECKED BY:		DESIGNED BY:	
		SIZE A3	DRAWING NO: LS8-UH-M1
(C) R.L. 1997		SCALE:	REV. *
		SHEET 1 OF 1	

8 7 6 5 4 3 2 1