

8

7

6

5

4

3

2

1

**SPECIFICATIONS:**

- \* JUNCTION BOX SHALL BE 8"W X 12"H X 4"DEEP
- \* FABRICATED OF 16 GAUGE CRS STEEL
- \* CONDUIT KNOCKOUTS ON ALL FOUR SIDES
- \* SPRING CLAMP TERMINALS
- \* ANSI 61 GRAY
- \* GROUNDING LUG INSTALLED

REVISIONS		
REV.	DESCRIPTION	DATE

D

D

C

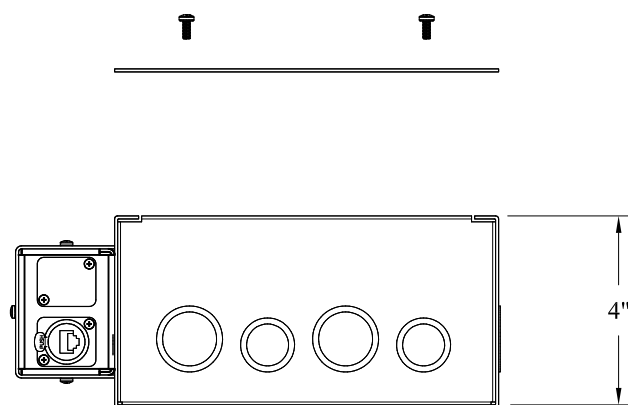
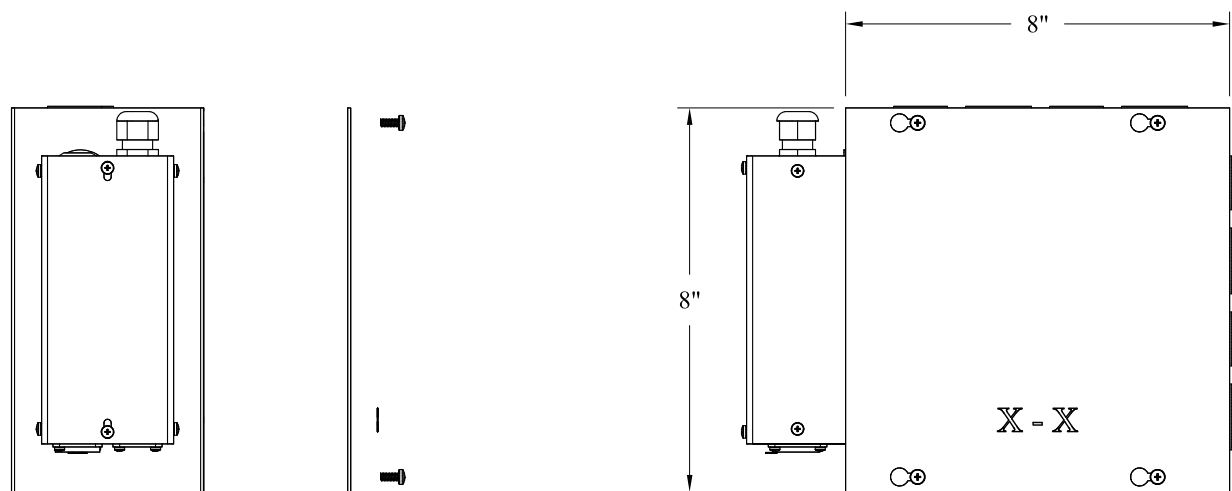
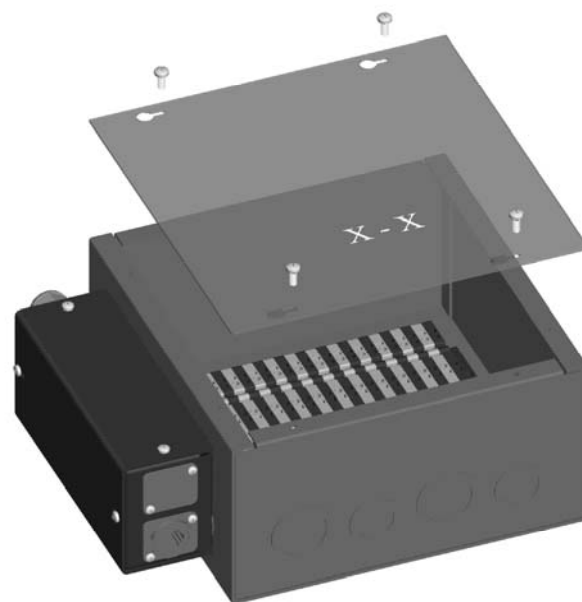
C

B

B

A

A



CONTRACT NO: GIJB-		<b>Rigging Innovators, Inc.</b> San Antonio, Texas		
CATALOG:				
DRAWN BY: CADD	09/25/2008	TITLE: <b>Gridiron Junction Box -</b>		
CHECKED BY:		DRAWING NO: <b>GIJB-08X08</b>		
DESIGNED BY:		SIZE <b>A3</b>	DATE 07/06/2009	REV.
(C) R.I., Inc. 2009		SCALE: 1:4	SHEET: 1 OF 1	

8

7

6

5

4

3

2

1