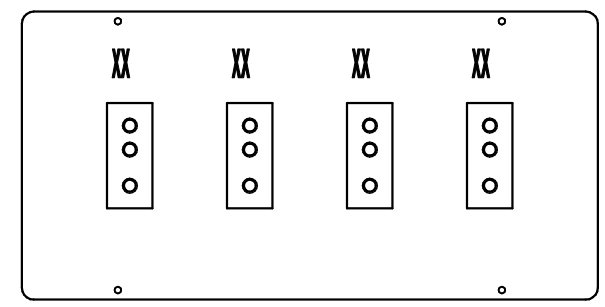


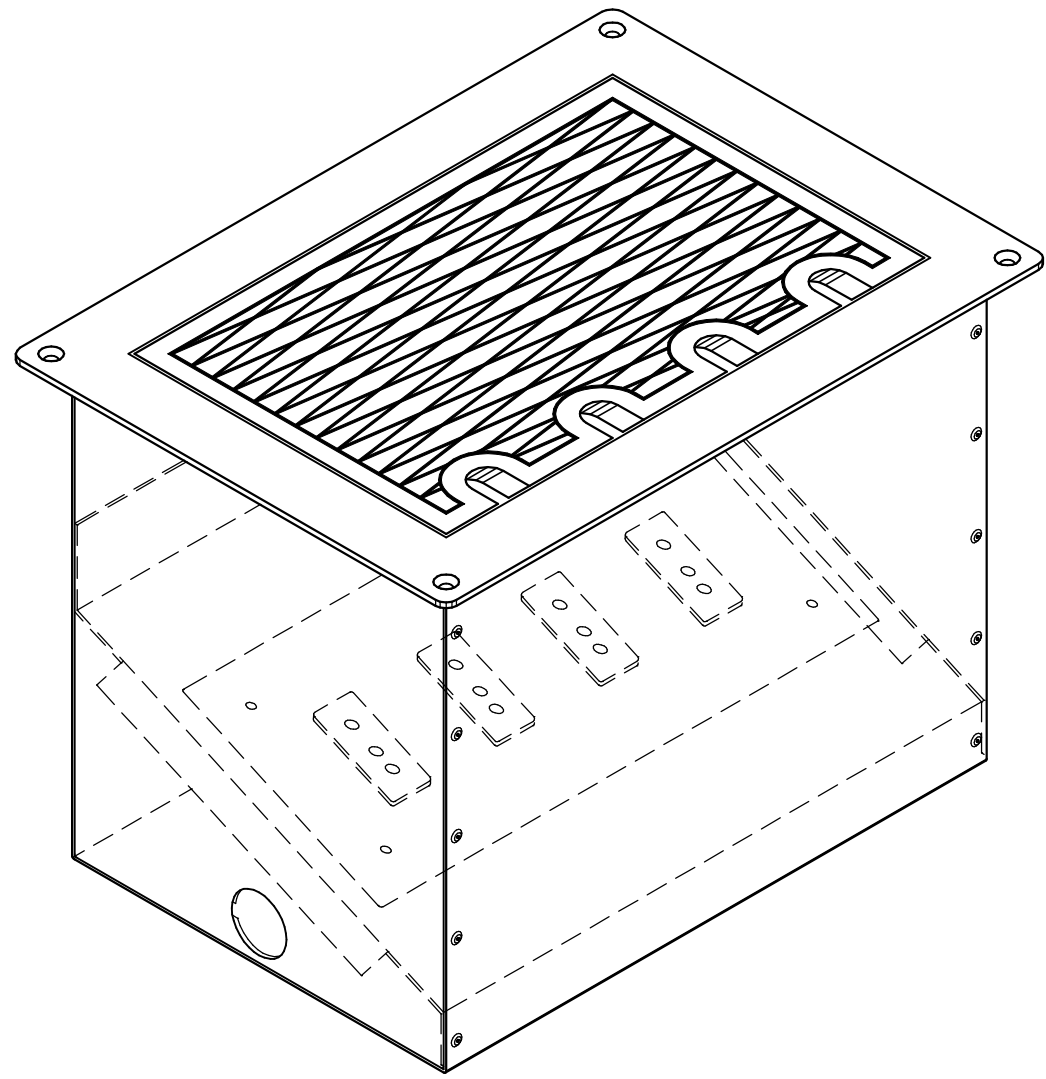
REVISIONS		
REV.	DESCRIPTION	DATE

SPECIFICATIONS:

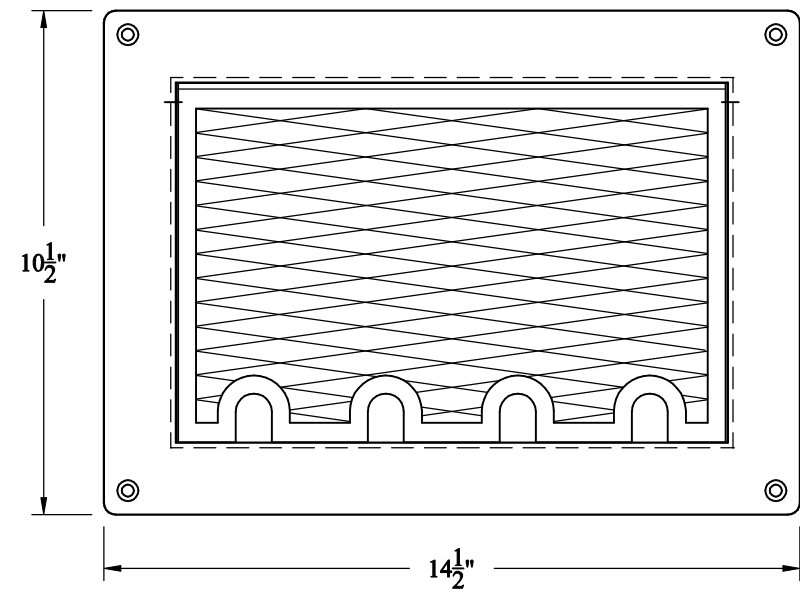
- * COVER PLATE MACHINED FROM 1/2" TOOL PLATE ALUMINUM
- * FLOOR TRIM OF FORMED STEEL ANGLE
- * BACK BOX OF 16 GAUGE CRS
- * INCLINED OUTLET PLATE OF 14 GAUGE CRS
- * CONDUIT KNOCKOUTS AT EACH END AND ACROSS THE BACK
- * NUMBERS ARE 3/4" WHITE DIE CUT CHARACTERS
- * SPEC-GRADE 20-AMP CONNECTORS
- * SEMI-GLOSS BLACK FINISH
- * GROUND LUG INSTALLED



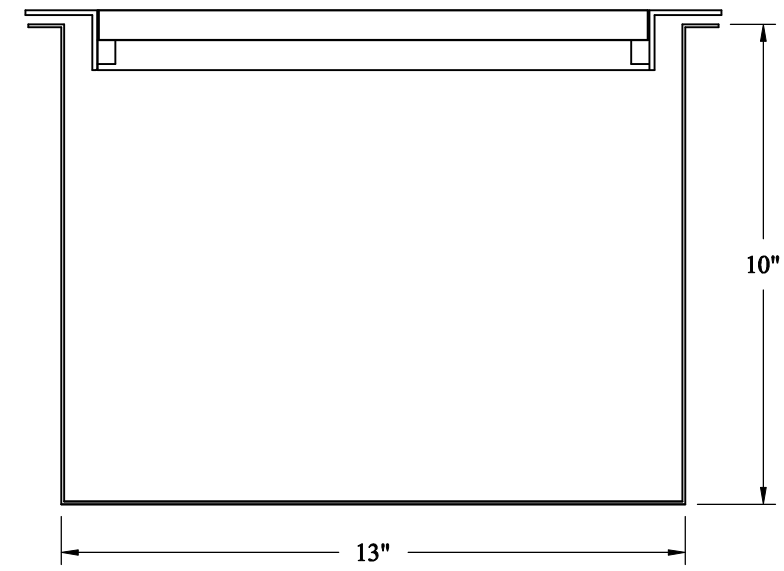
Connector Insert Detail



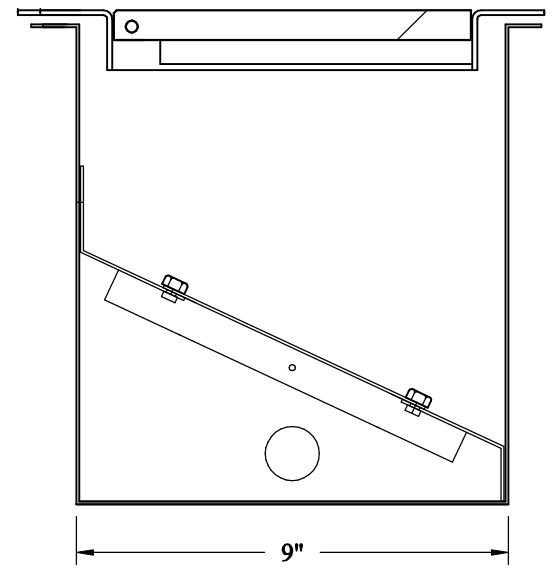
Isometric View



Plan View



Front View



Side View

Type:	?
Quantity:	?
Device Name	Circuit Numbers

CONTRACT NO:		Rigging Innovators San Antonio, Texas		
CATALOG: FP-4B				
DRAWN BY: CADD		TITLE:		
CHECKED BY:		Floor Pocket Assembly - 4 Circuit GP		
DESIGNED BY:		SIZE: A3	DATE: 04/11/2001	DRAWING NO: FP-4B.DWG
(C) R.I. 2001		SCALE: NONE	SHEET: 1 OF 1	