

8

7

6

5

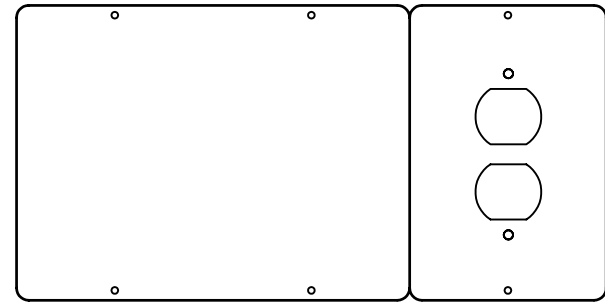
4

3

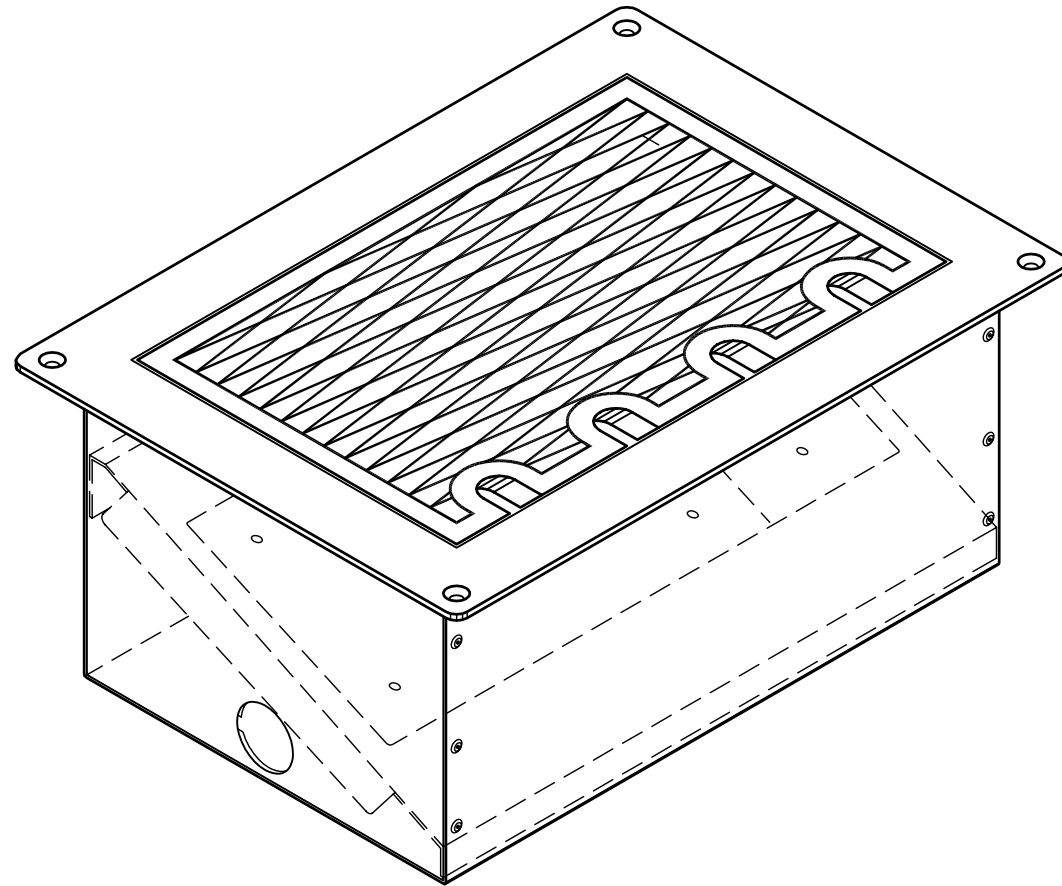
2

1

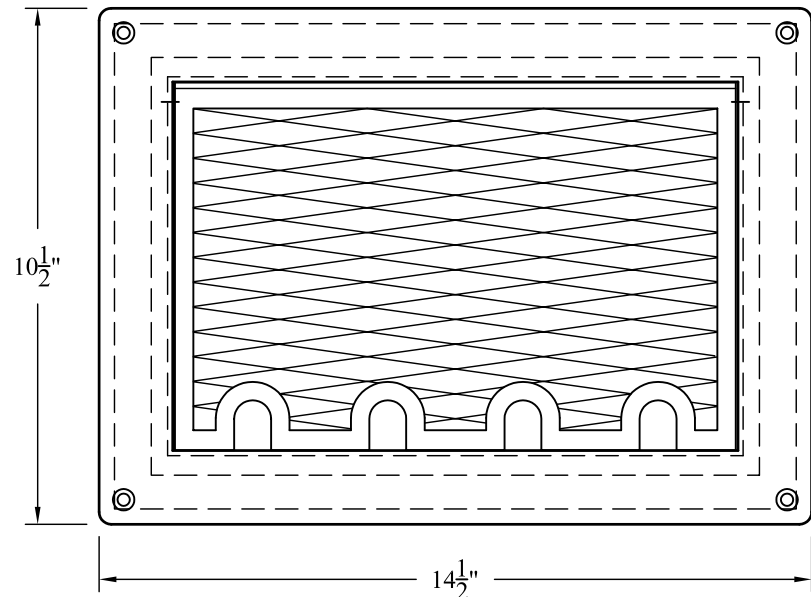
REVISIONS		
REV.	DESCRIPTION	DATE



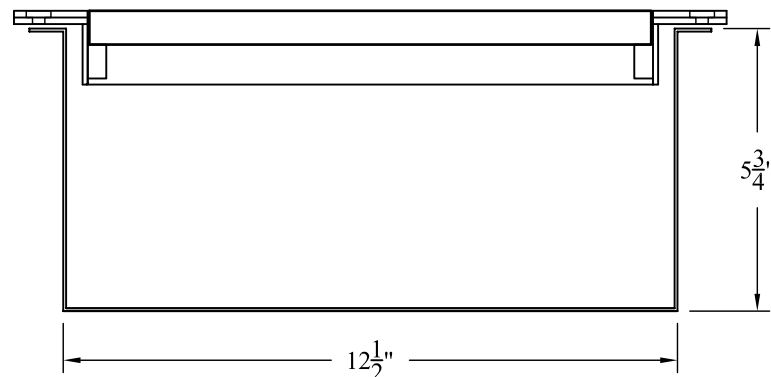
Connector Insert Detail



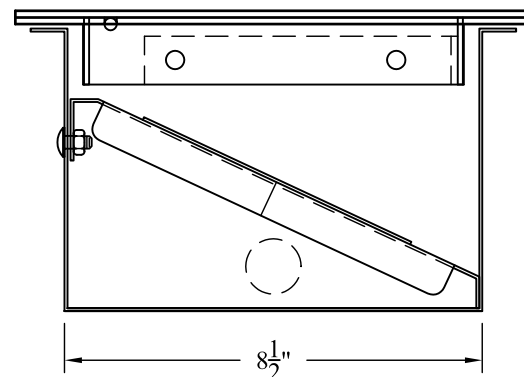
Isometric View



Plan View



Front View



Side View

SPECIFICATIONS:

- * COVER PLATE MACHINED FROM 1/2" TOOL PLATE ALUMINUM
- * FLOOR TRIM OF FORMED STEEL ANGLE
- * BACK BOX OF 16 GAUGE CRS
- * INCLINED OUTLET PLATE OF 14 GAUGE CRS
- * CONDUIT KNOCKOUTS AT EACH END AND ACROSS THE BACK
- * NUMBERS ARE 3/4" WHITE DIE CUT CHARACTERS
- * SPEC-GRADE 20-AMP CONNECTORS
- * SEMI-GLOSS BLACK FINISH
- * GROUND LUG INSTALLED

CONTRACT NO:		Rigging Innovators San Antonio, Texas	
CATALOG: AFP6-3x9Duplex			
DRAWN BY: CADD	09/29/2005	TITLE: Shallow Floor Pocket Assembly - (1) Duplex	
CHECKED BY:		SIZE A3	DATE 09/29/2005
DESIGNED BY:		DRAWING NO: AFP6-3X9DUPLEX.DWG	REV. -
(C) R.I. 2005		SCALE: NONE	SHEET: 1 OF 1

8

7

6

5

4

3

2

1