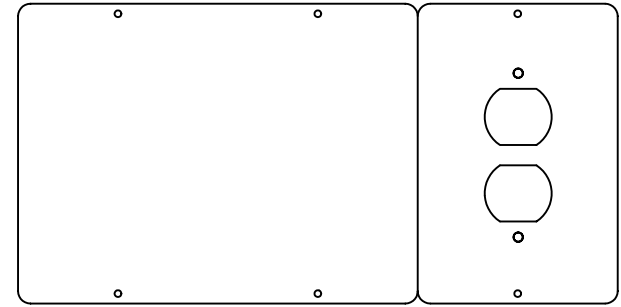


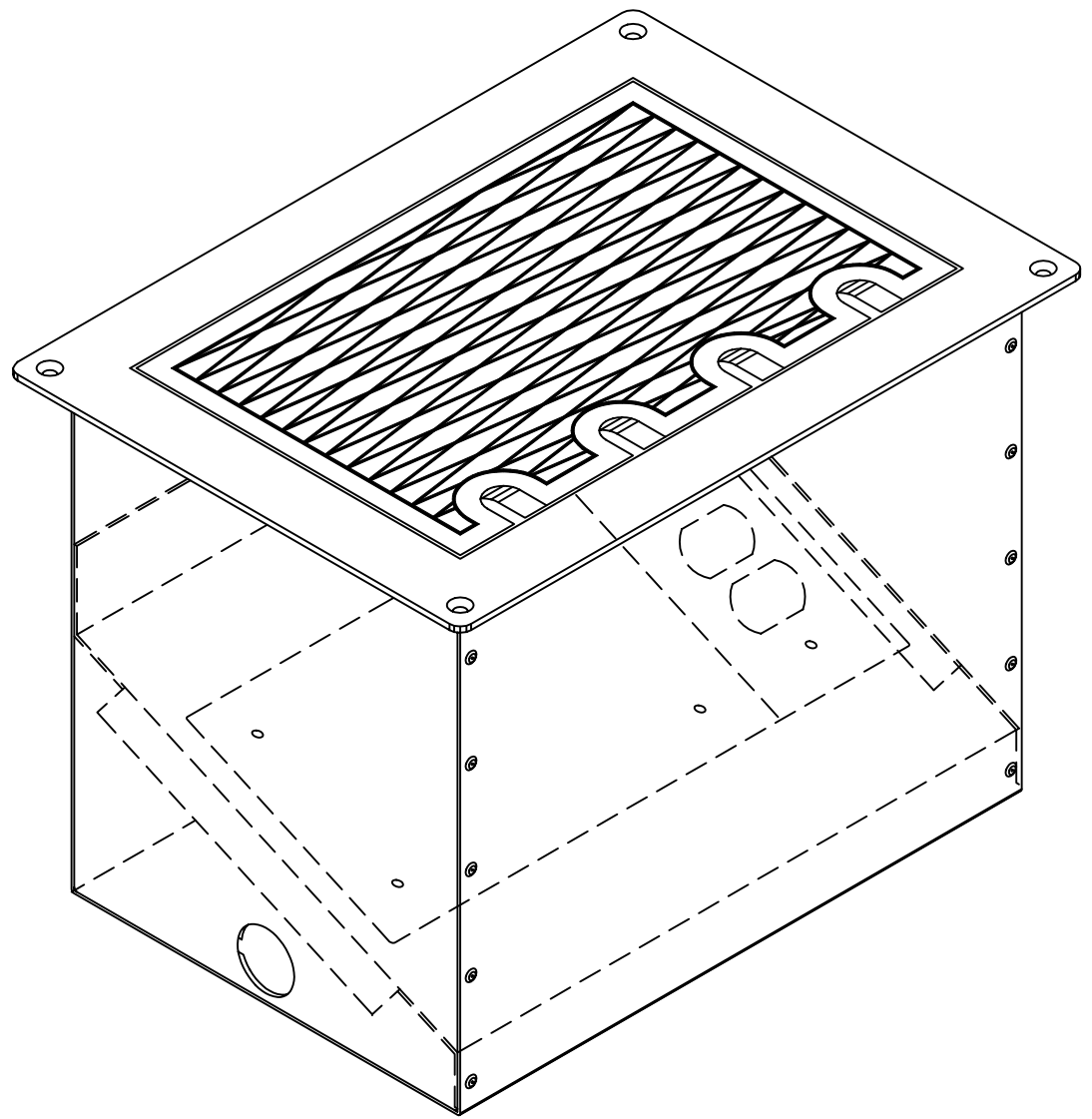
REVISIONS		
REV.	DESCRIPTION	DATE

SPECIFICATIONS:

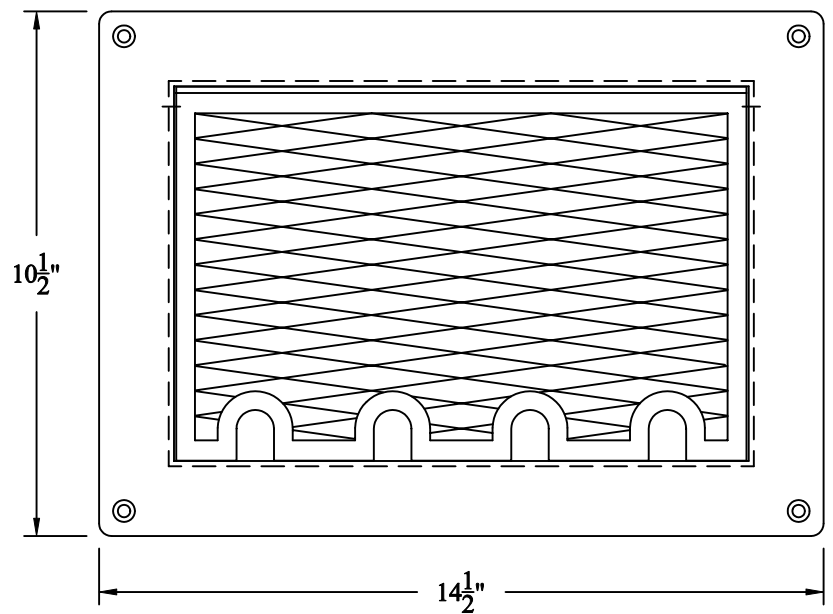
- * COVER PLATE MACHINED FROM 1/2" TOOL PLATE ALUMINUM
- * FLOOR TRIM OF FORMED STEEL ANGLE
- * BACK BOX OF 16 GAUGE CRS
- * INCLINED OUTLET PLATE OF 14 GAUGE CRS
- * CONDUIT KNOCKOUTS AT EACH END AND ACROSS THE BACK
- * NUMBERS ARE 3/4" WHITE DIE CUT CHARACTERS
- * SPEC-GRADE 20-AMP CONNECTORS
- * SEMI-GLOSS BLACK FINISH
- * GROUND LUG INSTALLED



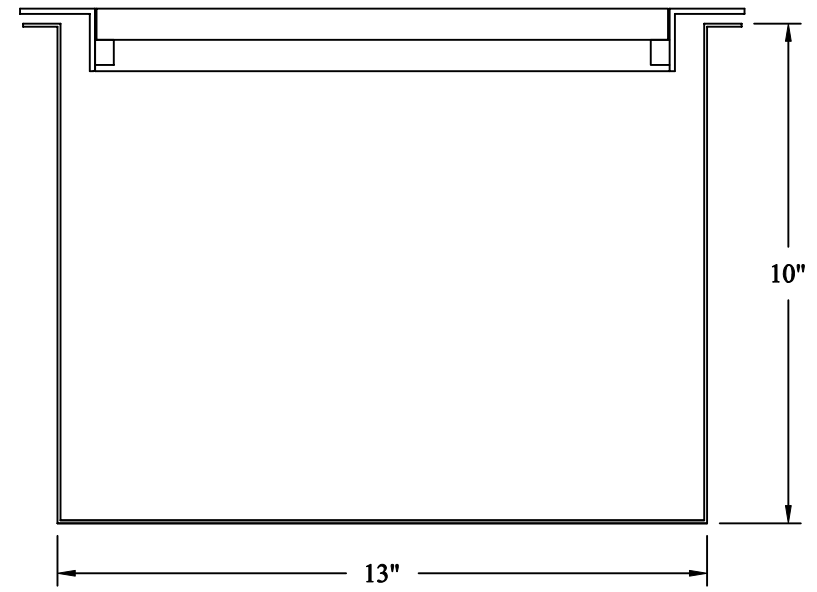
Connector Insert Detail



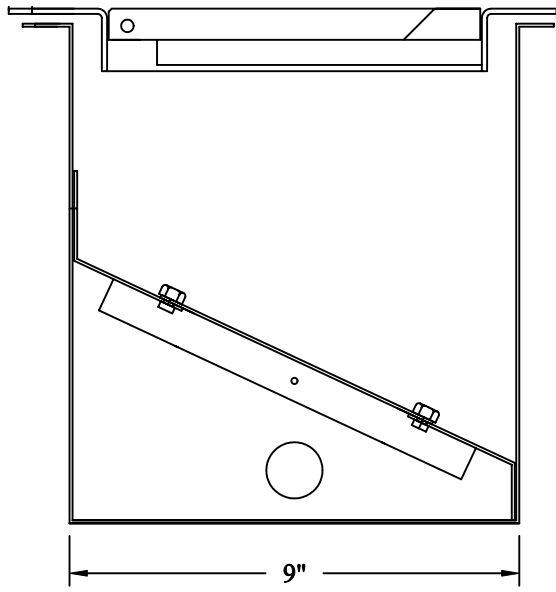
Isometric View



Plan View



Front View



Side View

CONTRACT NO:		Rigging Innovators San Antonio, Texas			
CATALOG: AFP-3x9Duplex					
DRAWN BY: CADD	08/03/2004	TITLE: Floor Pocket Assembly - (1) Duplex			
CHECKED BY:		SIZE A3	DATE 08/03/2004	DRAWING NO: AFP-3X9DUPLEX.DWG	REV. -
DESIGNED BY:		SCALE: NONE		SHEET: 1 OF 1	
(C) R.I. 2001					