

8

7

6

5

4

3

2

1

REVISIONS		
REV.	DESCRIPTION	DATE

SPECIFICATIONS:

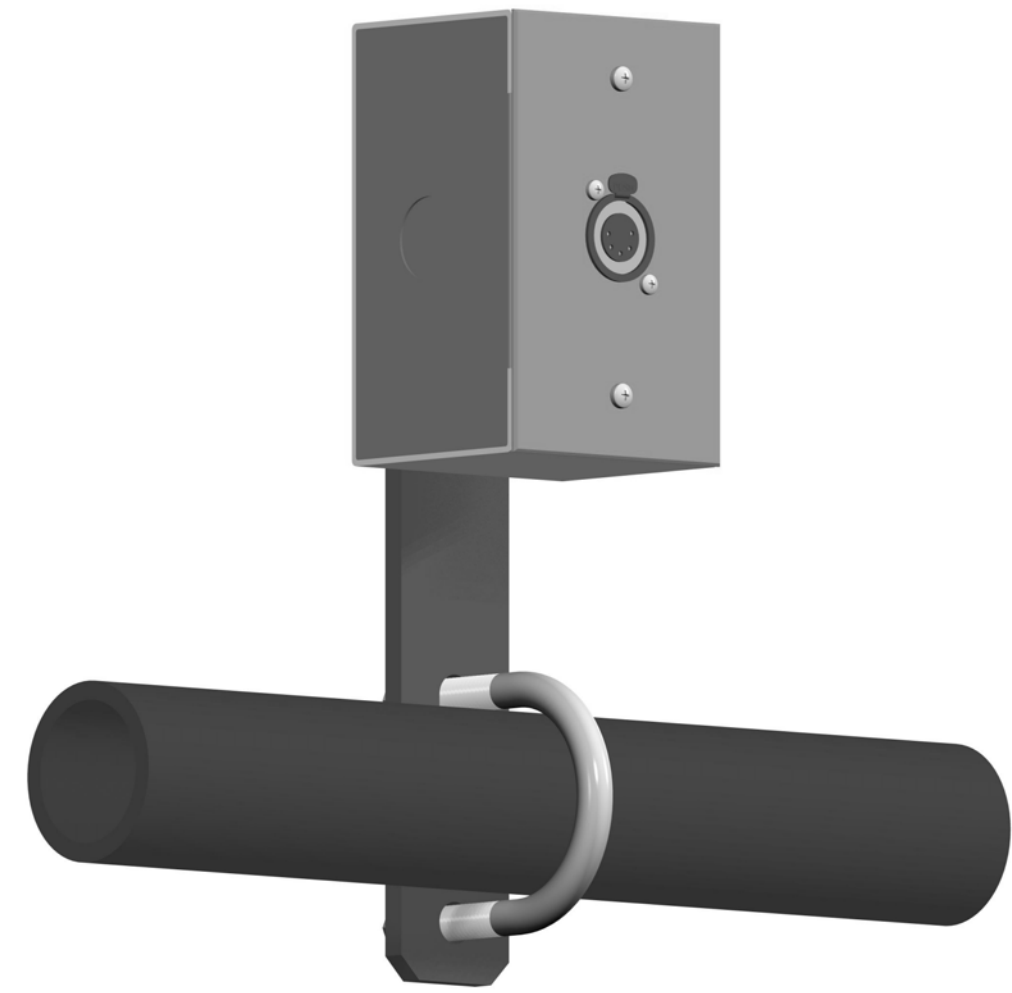
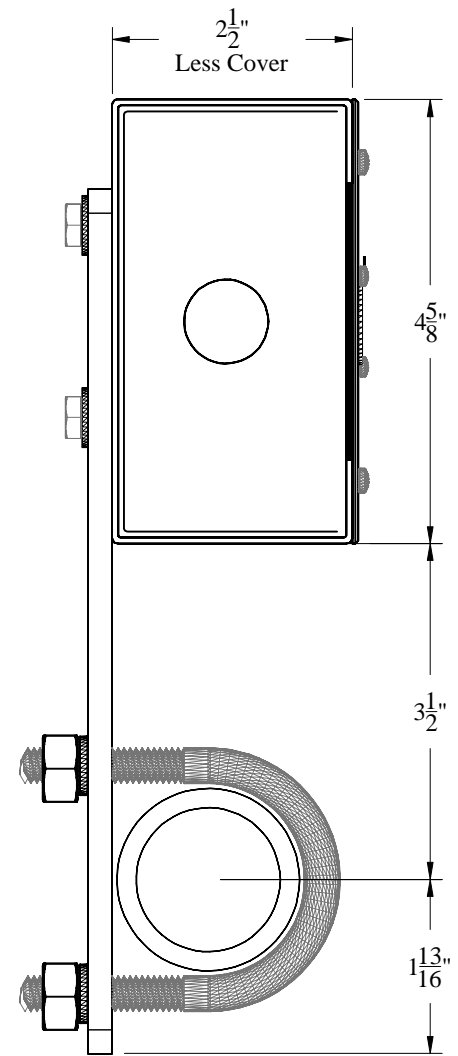
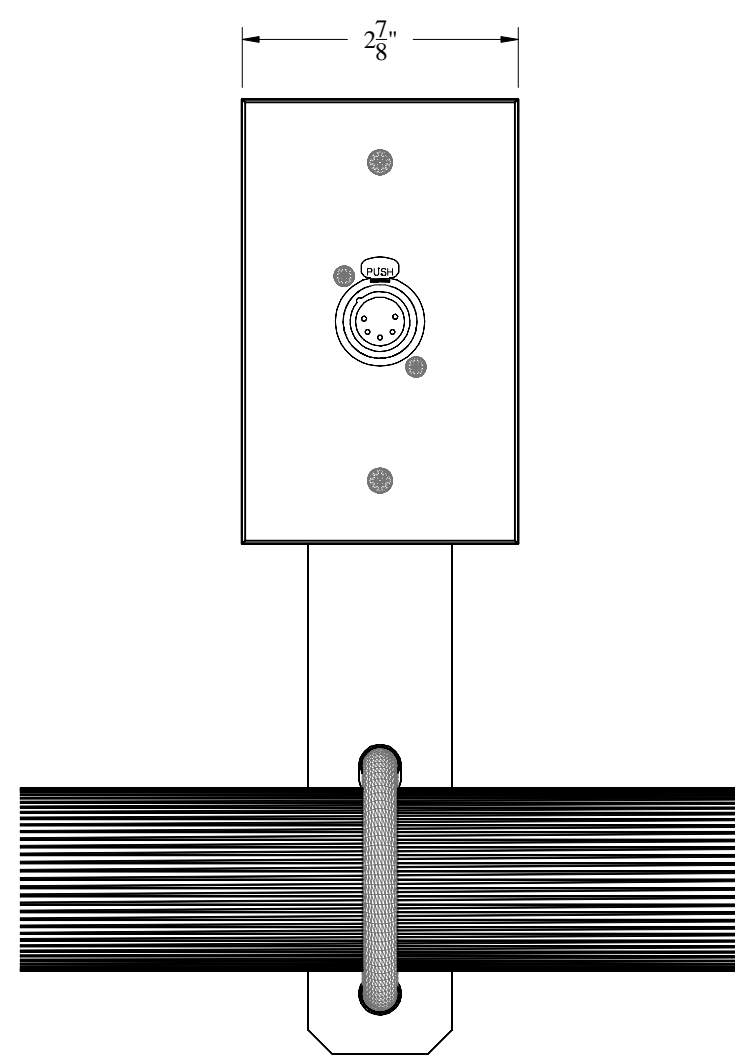
- * DATA BOX SHALL BE 2-7/8"W X 4-5/8"H X 2-1/2"DEEP
- * FABRICATED OF 18 GAGE SHEET METAL
- * CONDUIT KNOCK-OUTS ON BOTH SIDES
- * BLACK SEMI-GLOSS POWDER COAT FINISH
- * 1/4-20 THREADED INSERTS ON REAR FOR ATTACHMENT OPTIONS
- * XLR-5 FEMALE RECEPTACLES
- * CONTRACTOR WIRES TO CONNECTOR TERMINALS

D

C

B

A



D

C

B

A

8

7

6

5

4

3

2

1

CONTRACT NO: PB204		Rigging Innovators, Inc. San Antonio, Texas	
CATALOG:			
DRAWN BY: CADD	11/26/2007	TITLE: Data Box Pipe Mounted (1) XLR-5 Female Receptacle	
CHECKED BY:		DESIGNED BY:	
SIZE A3	DATE 11/27/2007	DRAWING NO: PB204-1D5F	REV. -
(C) R.I., Inc. 2007		SCALE: Half	SHEET: 1 OF 1