

8

7

6

5

4

3

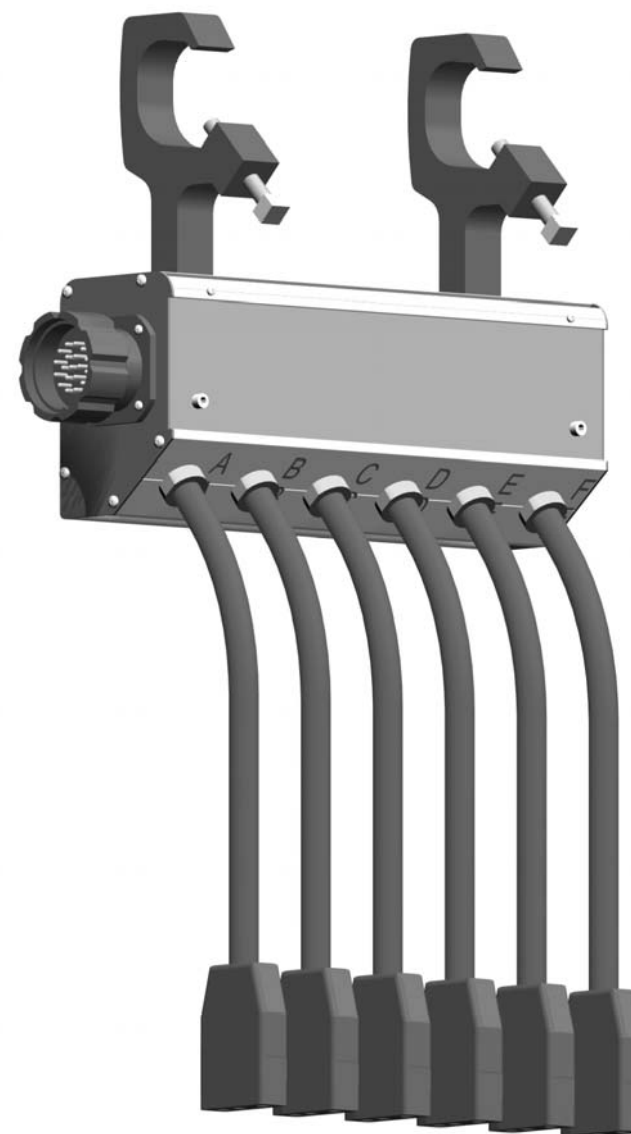
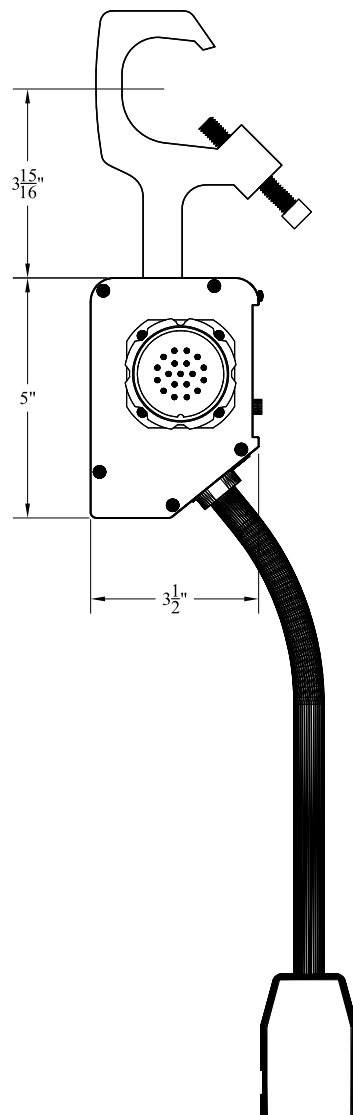
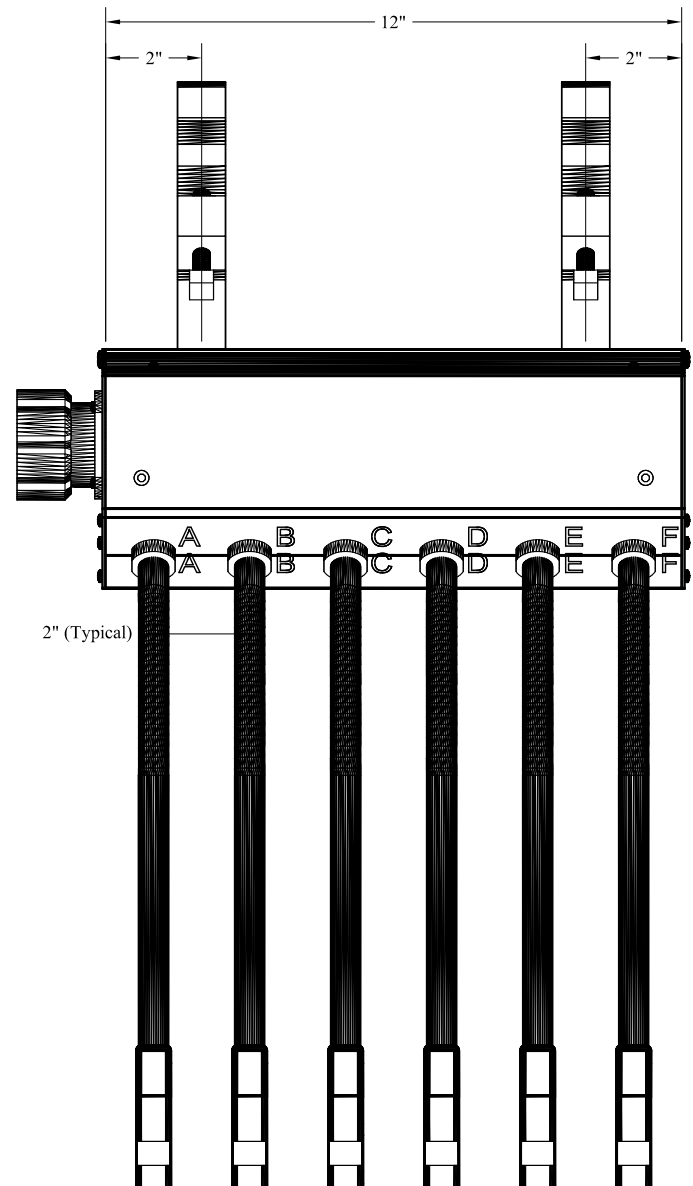
2

1

SPECIFICATIONS:

- * PLUG BOX SHALL BE 12"W X 5"H X 3.5"DEEP
- * FABRICATED OF EXTRUDED ALUMINUM
- * CONDUIT KNOCK-OUTS ON BOTH ENDS
- * NUMBERS ARE 5/8" WHITE DIE CUT CHARACTERS
- * (6) 2P&G 18" TYPE SO PIGTAILS
- * (1) MALE 19-PIN CONNECTOR INSTALLED AND WIRED
- * HEYCO STRAIN RELIEF PROTECTION
- * MATTE BLACK POWDER COAT FINISH

REVISIONS		
REV.	DESCRIPTION	DATE



Pin #	Wire Function
1	Ckt "AA" LINE
2	Ckt "AA" NEUTRAL
3	Ckt "BB" LINE
4	Ckt "BB" NEUTRAL
5	Ckt "CC" LINE
6	Ckt "CC" NEUTRAL
7	Ckt "DD" LINE
8	Ckt "DD" NEUTRAL
9	Ckt "EE" LINE
10	Ckt "EE" NEUTRAL
11	Ckt "FF" LINE
12	Ckt "FF" NEUTRAL
13	GROUND
14	GROUND
15	GROUND
16	GROUND
17	GROUND
18	GROUND
19	No Connect

Type:	DB-CSE12-6A
Quantity:	?
Device Name	Circuit Numbers
---	AA BB CC DD EE FF

CONTRACT NO: DBE-0		Rigging Innovators, Inc. San Antonio, Texas			
CATALOG: DBE-012-6A					
DRAWN BY: CADD	11/03/2010	TITLE: Typical Plug Box			
CHECKED BY:		Drop Box - (6) 2P&G 18" Pigtails			
DESIGNED BY:		SIZE A3	DATE 08/04/2011	DRAWING NO: DBE-012-6A	REV. -
© R.I., Inc. 2011		SCALE: NONE		SHEET: 1 OF 1	

8

7

6

5

4

3

2

1