

8

7

6

5

4

3

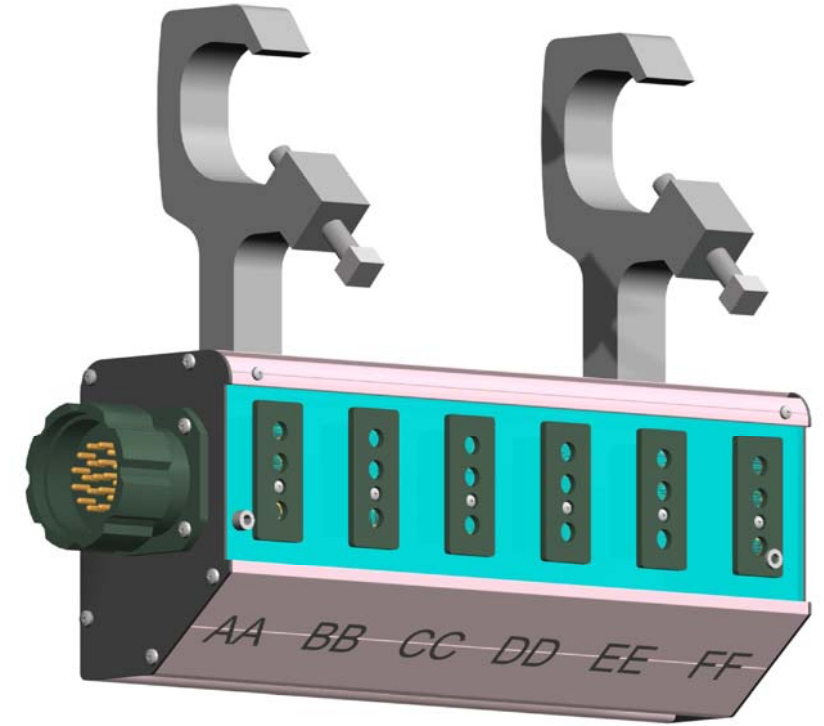
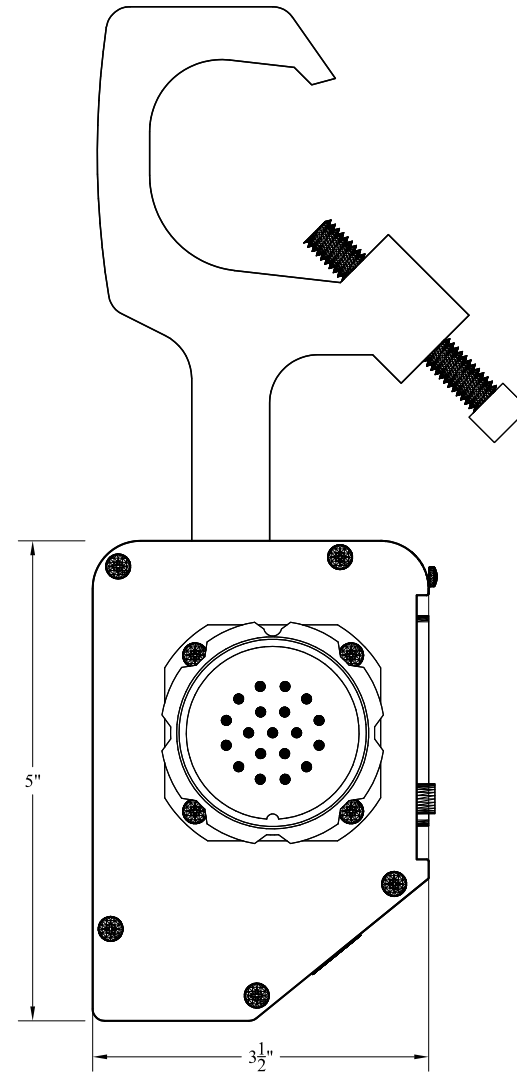
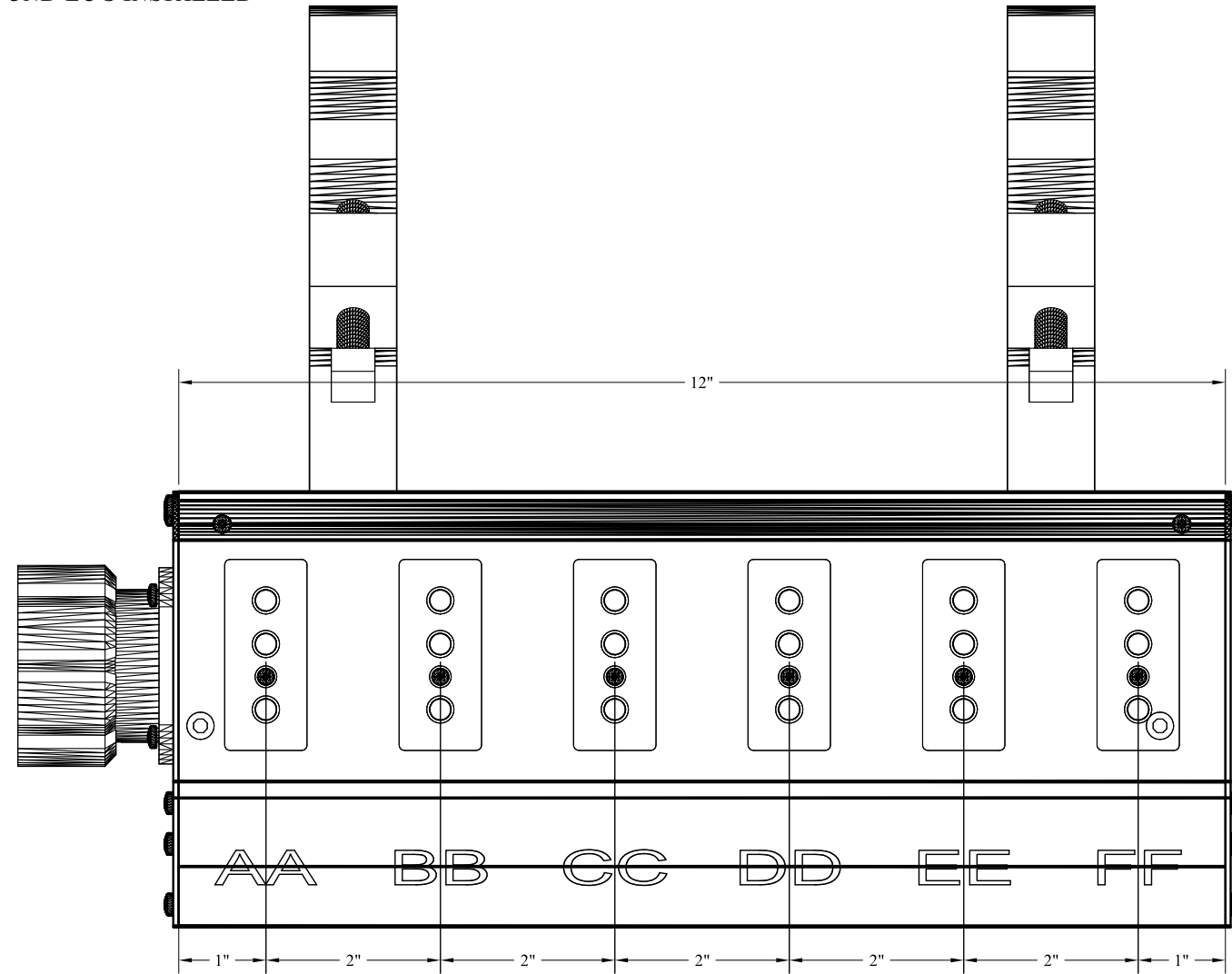
2

1

REVISIONS		
REV.	DESCRIPTION	DATE

SPECIFICATIONS:

- * PLUG BOX SHALL BE 12"W X 5"H X 3.5"DEEP
- * FABRICATED OF EXTRUDED ALUMINUM
- * CONDUIT KNOCK-OUTS ON BOTH ENDS
- * NUMBERS ARE 5/8" WHITE DIE CUT CHARACTERS
- * (6) 2P&G FLUSH RECEPTACLES
- * SEMI-GLOSS BLACK POWDER COAT FINISH
- * GROUND LUG INSTALLED



Pin #	Wire Function
1	Ckt "AA" LINE
2	Ckt "AA" NEUTRAL
3	Ckt "BB" LINE
4	Ckt "BB" NEUTRAL
5	Ckt "CC" LINE
6	Ckt "CC" NEUTRAL
7	Ckt "DD" LINE
8	Ckt "DD" NEUTRAL
9	Ckt "EE" LINE
10	Ckt "EE" NEUTRAL
11	Ckt "FF" LINE
12	Ckt "FF" NEUTRAL
13	GROUND
14	GROUND
15	GROUND
16	GROUND
17	GROUND
18	GROUND
19	No Connect

Type:						
Quantity:						
Brackets:						
Device Name	Circuit Numbers					
	AA	BB	CC	DD	EE	FF



E118218

CONTRACT NO: DBE-0		Rigging Innovators, Inc.			
CATALOG: DBE-CSE12-1M196B		San Antonio, Texas			
DRAWN BY: CADD	03/04/2009	TITLE: Drop Box - (6) 2P&G Flush Receptacles			
CHECKED BY:		SIZE A3	DATE 08/04/2011	DRAWING NO: DBE-012-1M19-6B	REV. -
DESIGNED BY:		SCALE: NONE		SHEET: 1 OF 1	
© R.I., Inc. 2011					