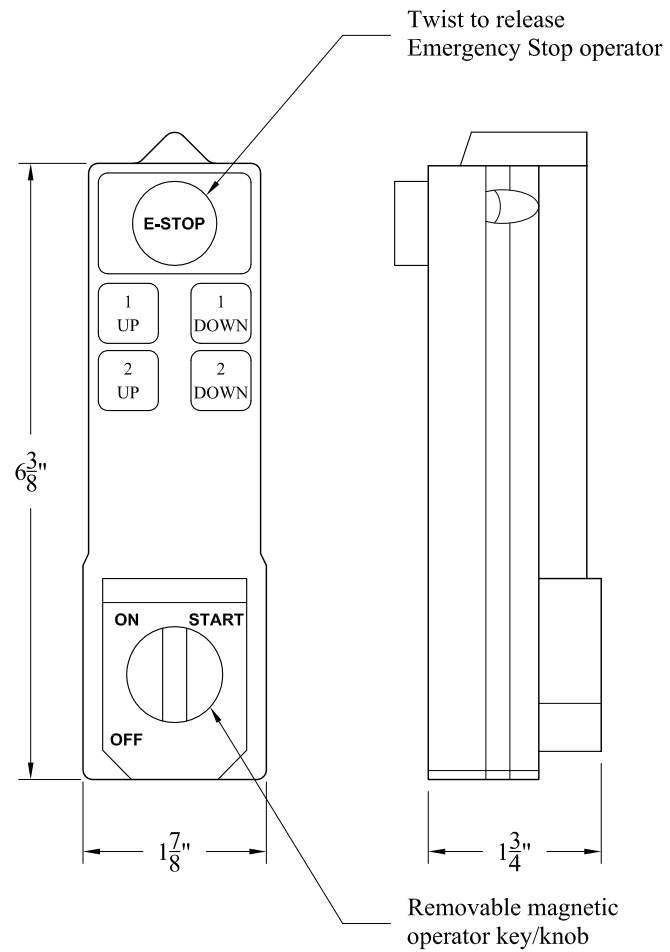


REVISIONS		
REV.	DESCRIPTION	DATE

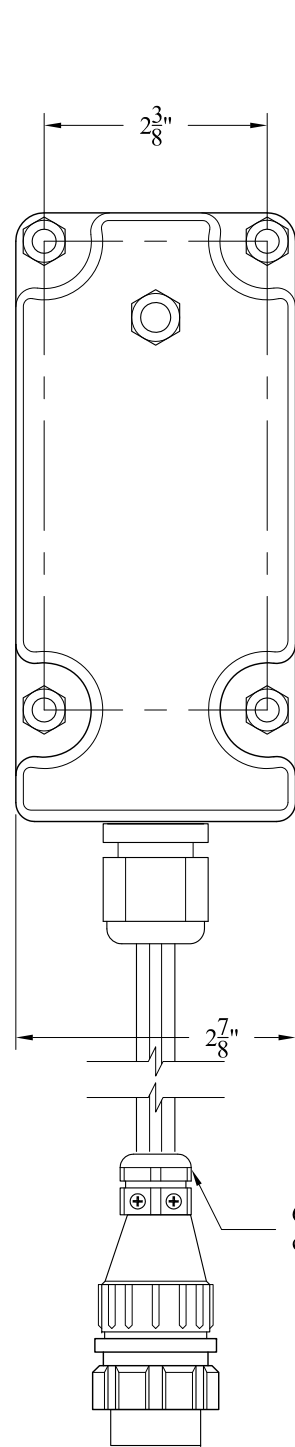
D
C
B
A

D
C
B
A

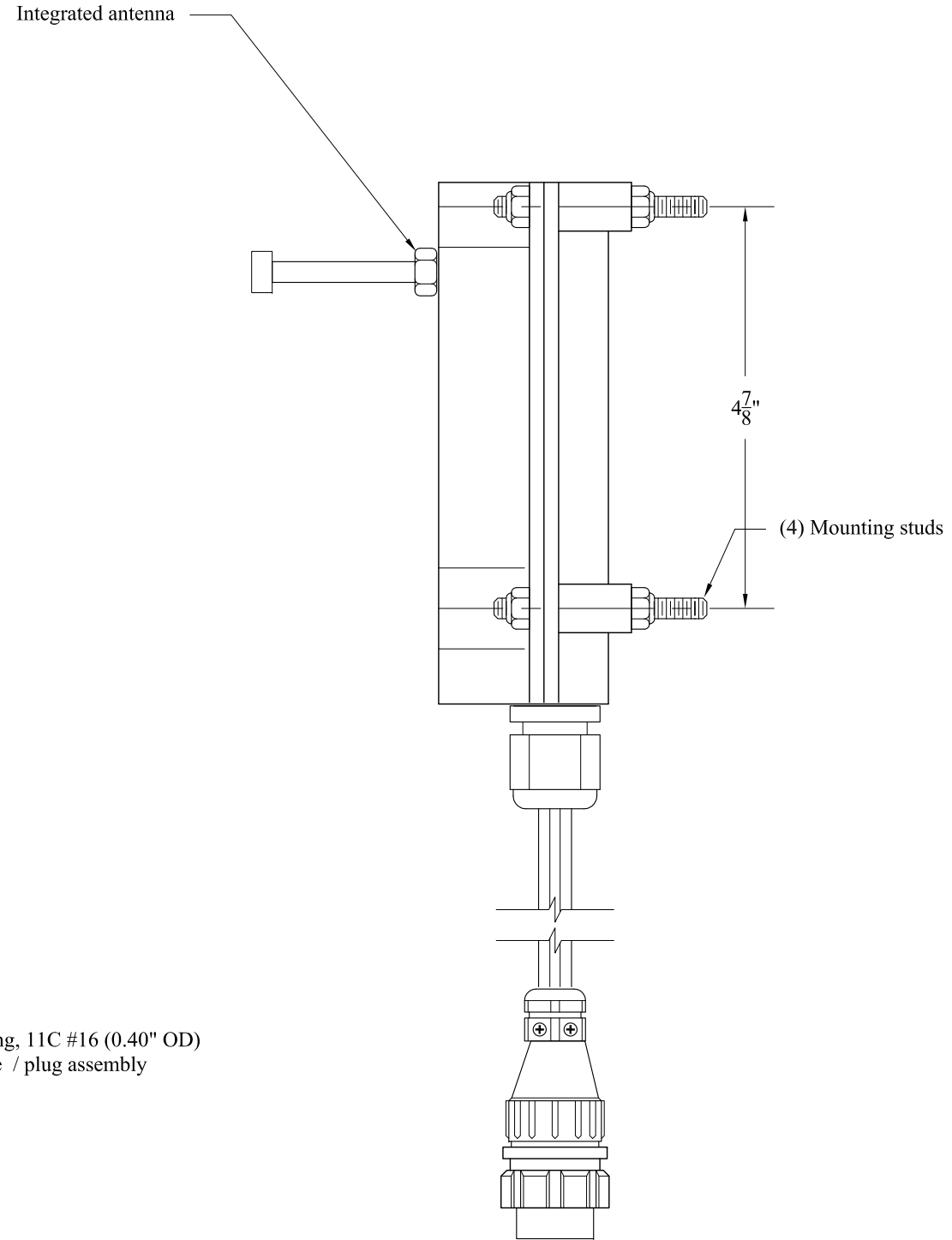


Transmitter module

- Notes:**
- 1 - Operational range is approximately 330 feet, 10mW.
 - 2 - Transmitter and receivers housed in NEMA 4 (IP65) glass reinforced nylon enclosures.
 - 3 - Transmitter operates approximately 40 hours using (2) AA batteries.
 - 4 - Phase lock loop shuts down system on loss of carrier in sleep mode, low battery, etc..
 - 5 - 3 stage audible and visual low power warning in transmitter.
 - 6 - System may be restarted by rotating operator key/knob to "start" position.
 - 7 - For battery life and safety, remote enters sleep mode after 5-minutes.
 - 8 - Operational frequency: 430-435 MHz, FCC Part 15 compliant, non-licensed system.



Receiver Module



CONTRACT NO: E5-RF		Rigging Innovators, Inc. San Antonio, Texas		
CATALOG: E5-RF-PENDANT				
DRAWN BY: CADD	08/04/2011	TITLE: Remote Pendant Operator 2-Channel Wireless Subsystem Remote Transmitter & Receiver Modules		
CHECKED BY:		DESIGNED BY:		
		SIZE: A3	DATE: 08/04/2011	DRAWING NO: E5-RF-PENDANT
© R.I., Inc. 2011		SCALE: Half	SHEET: 1 OF 1	