

8

7

6

5

4

3

2

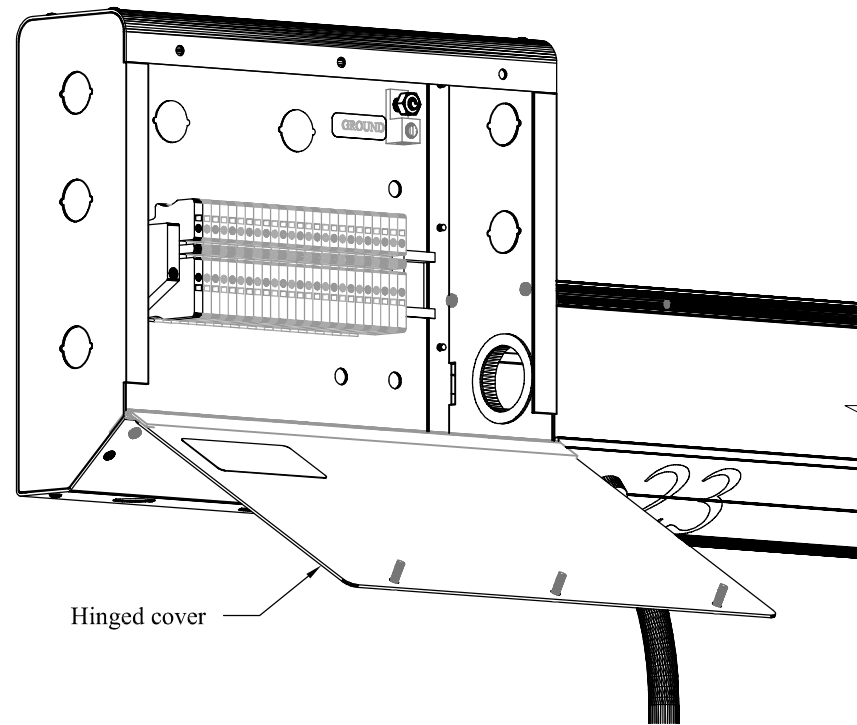
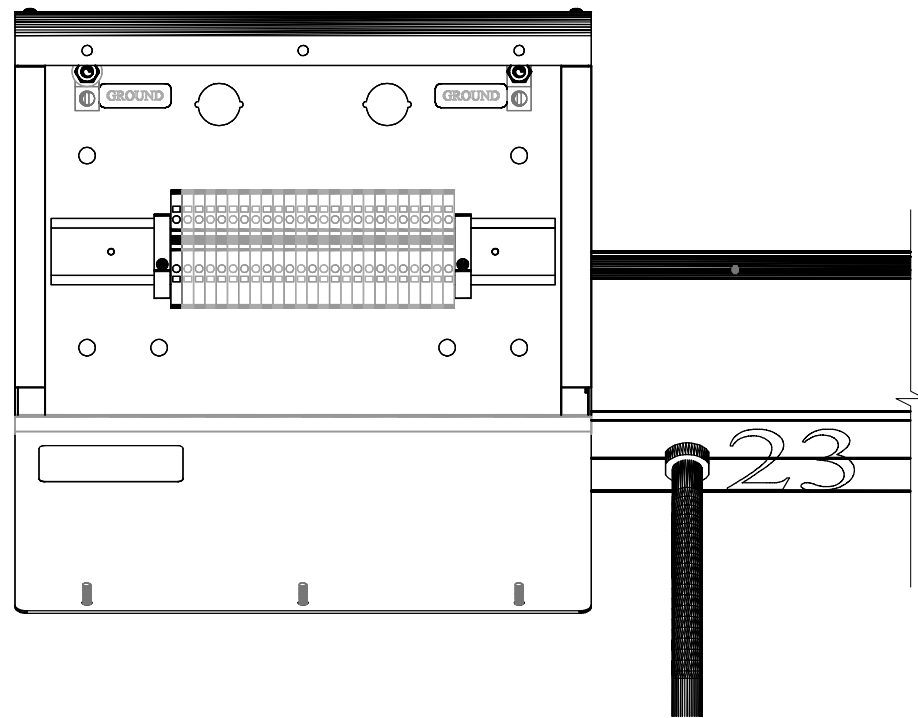
1

REVISIONS		
REV.	DESCRIPTION	DATE

Terminal box length as per detail sheets:  
 (standard ZDU-4 terminals)  
 12" box = 18-circuit maximum  
 18" box = 30-circuit maximum  
 24" box = 42-circuit maximum

D

D



**Standard wireway with terminal box, left-hand feed shown**

**NOTES:**

- 1) Circuit numbers are 2" high white die cut characters at each receptacle on sloped face of the connector strip assemblies.
- 2) Manufactured of extruded aluminum with semi-gloss black finish.
- 3) Connector strip terminal boxes and compartments have 1/2" knockouts on their ends for contractor entry.
- 4) Connector strips may be shipped accordian folded in sections not to exceed 12' long. Installer must then splice sections together with the supplied hardware.
- 5) Pipe battens in detail sheets may be shown for reference only.
- 6) Connectors may be relocated ±4" to clear splice joints.
- 7) Flush mounted connectors may NOT be located in the terminal compartment or terminal box covers.
- 8) Bracket assemblies are ordered separately.
- 9) ZDU-4 spring clamp terminals are installed as standard on 20A circuits and accept #10 AWG maximum wire.
- 10) ZDU-6 spring clamp terminals may be installed for #8 AWG: 12" box 12 ckts, 18" box 20 ckts, 24" box 28 ckts maximum.
- 11) Standard 20A pigtails are 12/3 type SO with Heyco strain relief.

C

C

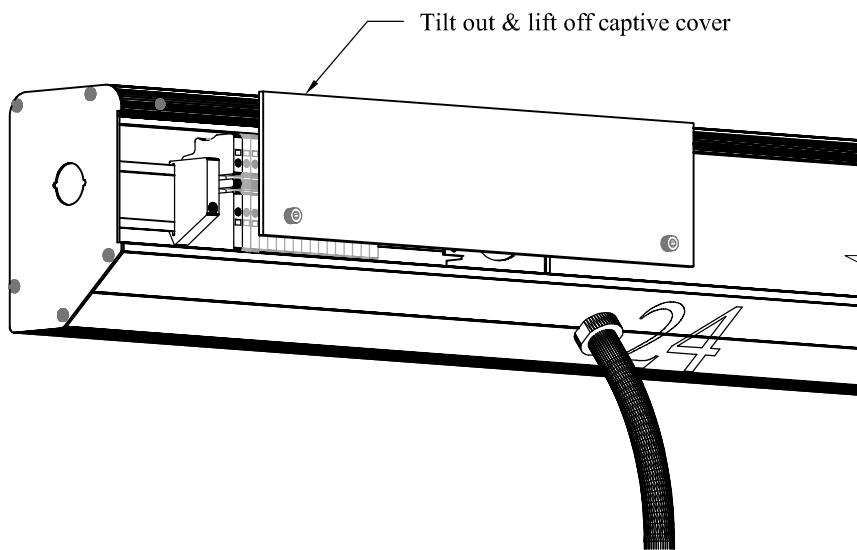
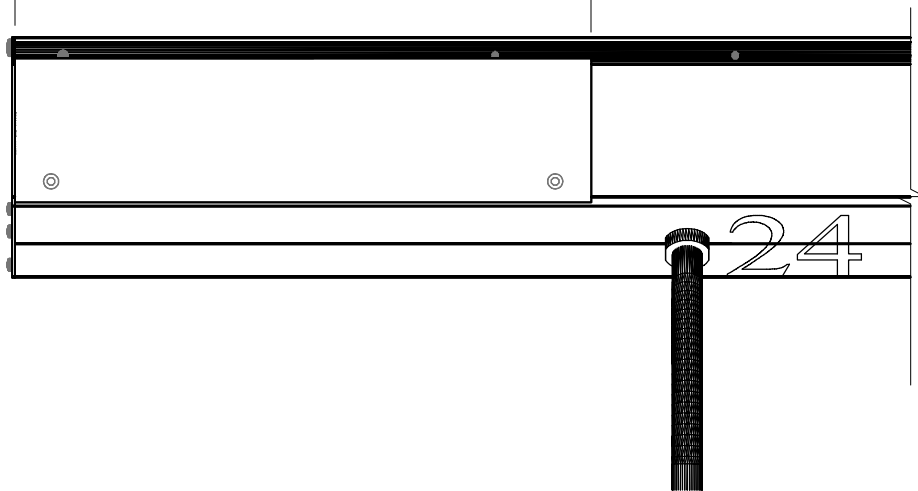
B

B

12" Terminal compartment  
 (10) 20A-circuit maximum  
 (ZDU-4 terminals only)

B

B



**Standard wireway with integral terminal compartment, left-hand feed shown**



E118218

CONTRACT NO: STD-C		<b>Rigging Innovators, Inc.</b> San Antonio, Texas	
CATALOG: Std-CSE			
DRAWN BY: CADD	07/27/2009	TITLE: <b>CSE Wireway Standard Termination Assemblies</b>	
CHECKED BY:		DRAWING NO: <b>STD-CSE.DWG</b>	
DESIGNED BY:		SIZE <b>A3</b>	DATE 07/27/2009
© R.I., Inc. 2009		SCALE: NONE	REV. 1 OF 1

8

7

6

5

4

3

2

1