

8

7

6

5

4

3

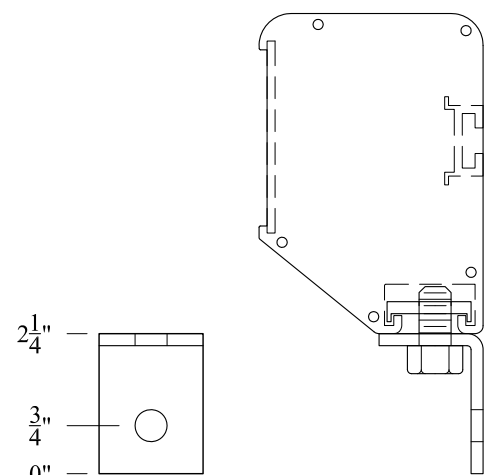
2

1

REVISIONS		
REV.	DESCRIPTION	DATE

D

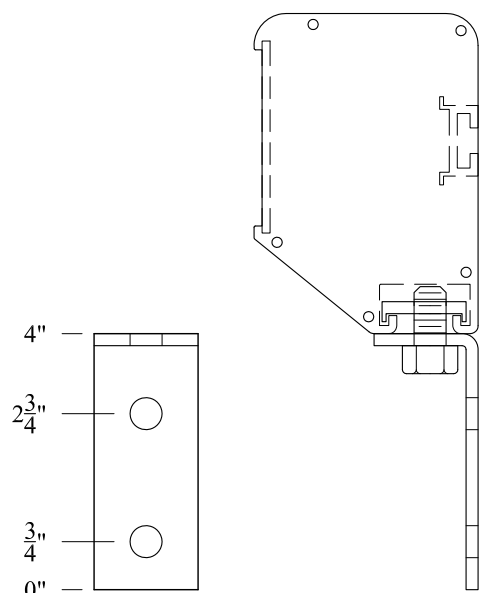
D



Front View

Standard Installation

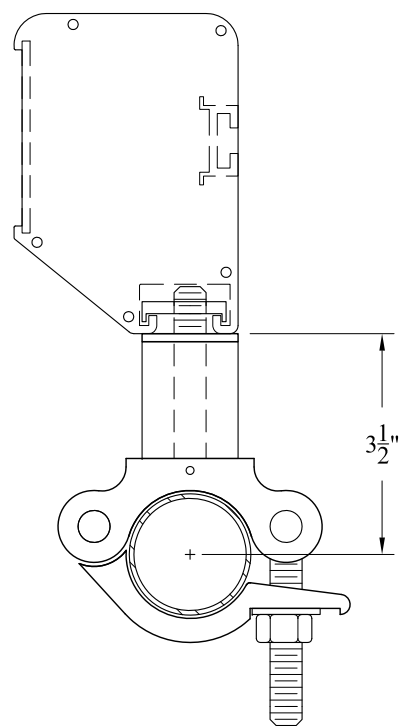
Total 0 required
Studio Bracket Style "BR4"



Front View

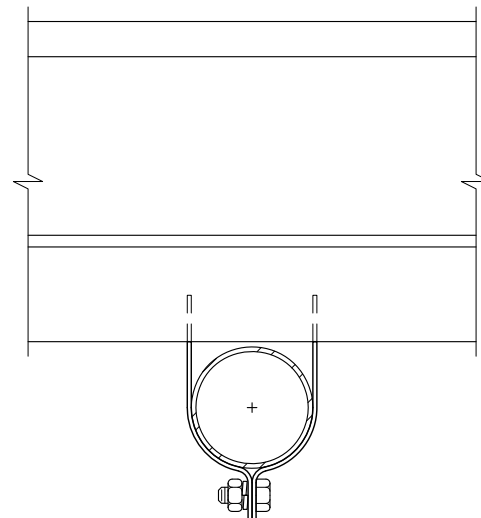
Standard Installation

Total 0 required
Studio Bracket Style "BR5"



Standard Installation

Total 0 required
Studio Bracket Style "BR6"



Standard Installation

Total 0 required
Studio Bracket Style "BR7"

C

C

B

B

A

A

NOTES:

- 1 - Brackets to be installed approximately 5' on center.
- 2 - Material - Nominal 3/16" Steel, UNO
- 3 - Finish - Smooth Matte Black Powder Coat
- 4 - Hardware as shown is supplied.

CONTRACT NO: CSE-D		Rigging Innovators, Inc. San Antonio, Texas	
CATALOG: CSE-D03			
DRAWN BY: B. Darden	09/08/2010	TITLE:	
CHECKED BY:		Connector Strip Brackets	
DESIGNED BY:		SIZE A3	DATE 09/08/2010
		DRAWING NO: CSE-D03	REV. -
© R.I., Inc. 2010		SCALE: 1:3	SHEET: 1 OF 1

8

7

6

5

4

3

2

1