

8

7

6

5

4

3

2

1

REVISIONS		
REV.	DESCRIPTION	DATE

D

D

C

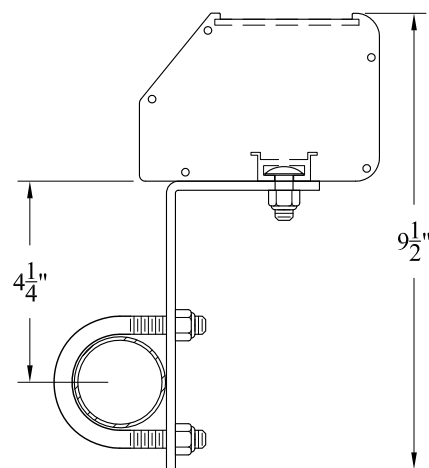
C

B

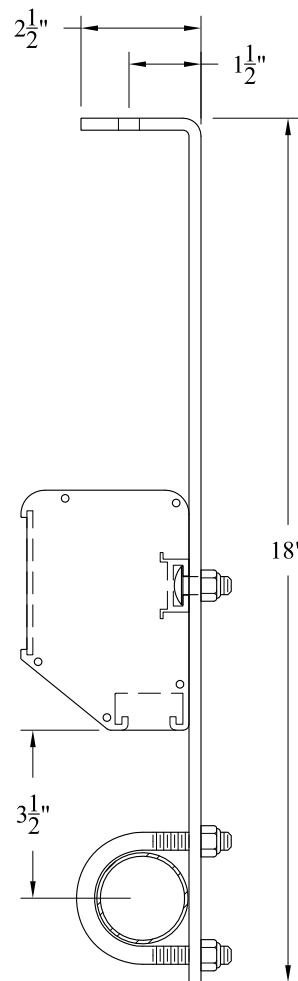
B

A

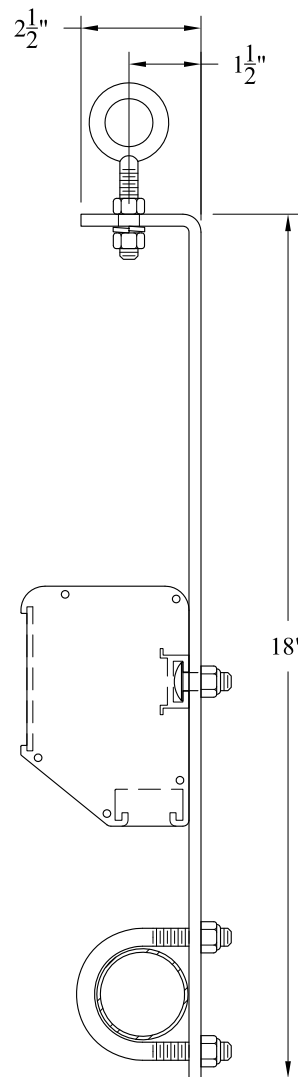
A



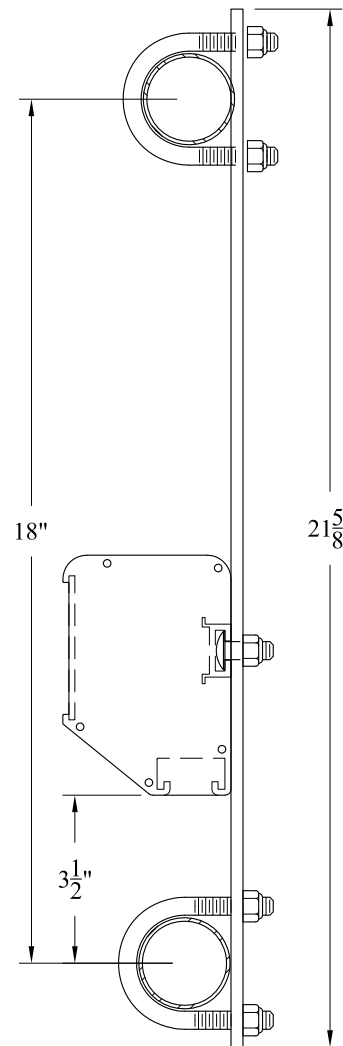
Standard Installation
Total 0 required
Studio Bracket Style "CSE-BR3-90"



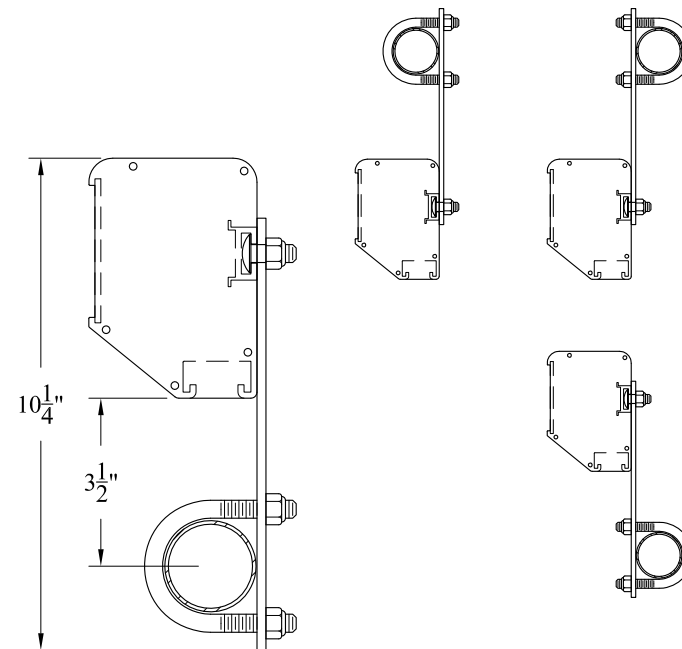
Standard Installation
Total 0 required
Single Pipe Bracket Style "CSE-BR1"



Standard Installation
Total 0 required
Single Pipe Bracket Style "CSE-BR1-A"



Standard Installation
Total 0 required
Two-Pipe Bracket Style "CSE-BR2"

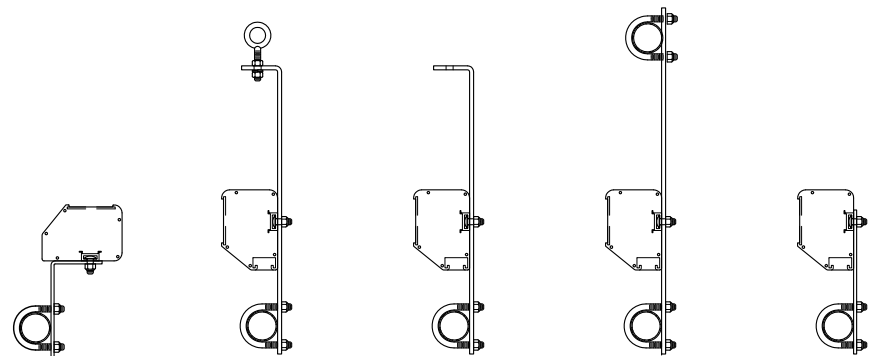


Standard Installation
Total 0 required
Studio Bracket Style "CSE-BR3"

Alternate Installation Methods

NOTES:

- 1 - Brackets to be installed approximately 5' on center.
- 2 - Material - Nominal 1/4" Steel, UNO
- 3 - Finish - Matte Black
- 4 - Hardware as shown is supplied.



Style "CSE-BR3-90" Right-Angle Bracket
Style "CSE-BR1-A" One-Pipe Bracket
Style "CSE-BR1" One-Pipe Bracket
Style "CSE-BR2" Two-Pipe Bracket
Style "CSE-BR3" Studio Bracket

CONTRACT NO: CSE-D		Rigging Innovators, Inc. San Antonio, Texas		
CATALOG: CSE-D02				
DRAWN BY:	09/08/2010	TITLE:		
CHECKED BY:		CSE Mounting Brackets		
DESIGNED BY:		SIZE A3	DATE 09/08/2010	DRAWING NO: CSE-D02
© R.I., Inc. 2010		SCALE: 1:4	REV. -	
		SHEET: 1 OF 1		

8

7

6

5

4

3

2

1