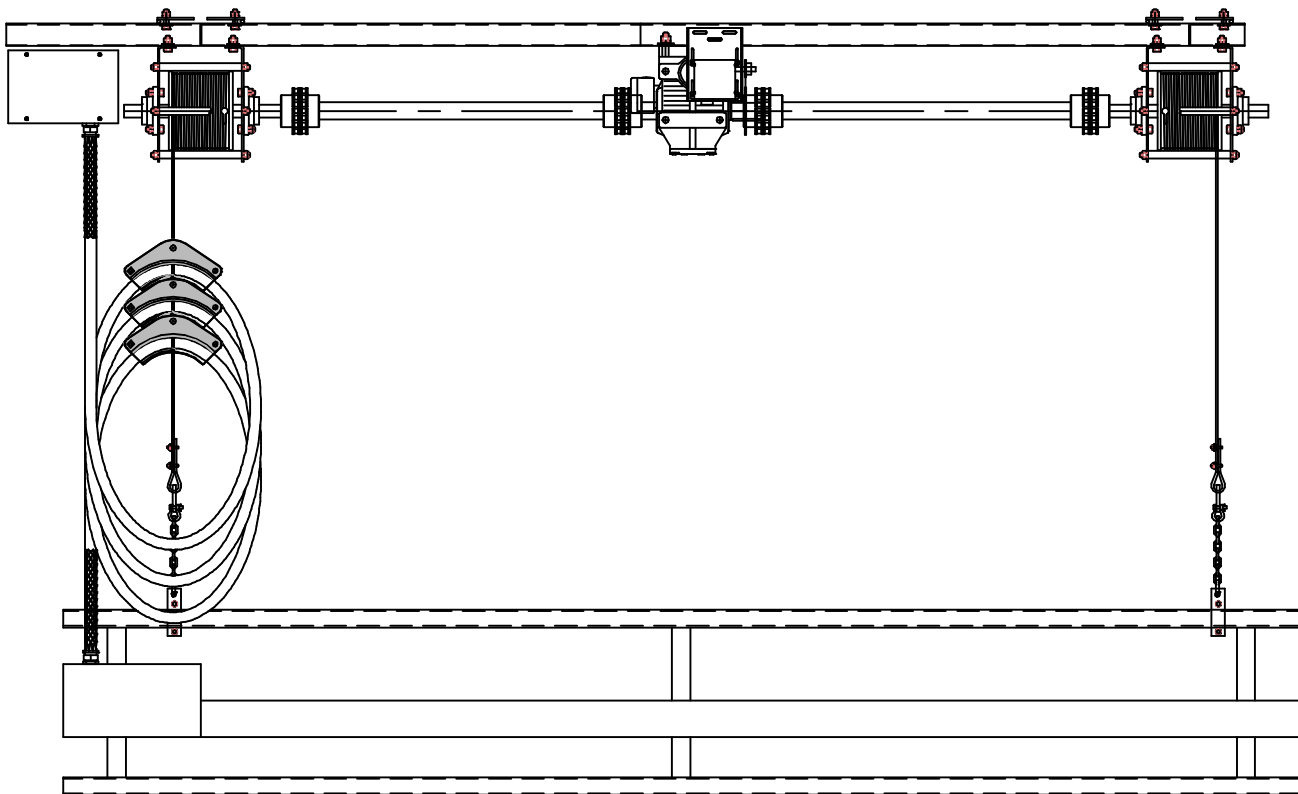


Catalog # CC-SH1125

Cable coiling on the lift lines works best with cable ranging from 7/8" to 1-1/4" in diameter. Best results are obtained using only one feeder cable per aircraft cable lift line. Each type and size of feeder cable forms a different size of ellipse. The width of the ellipse will be approximately 15 times the cable diameter. The length of the ellipse is user definable, based on the distance between the cable cradles. Typical spacing is 6 - 8 feet.

The technique works equally as well with a loftblock system.



DESCRIPTION:

CC-SH1125 is a cable cradle with an aircraft cable guide assembly.

CC-Kellems is a single eye kellems grip with an aircraft cable guide assembly.